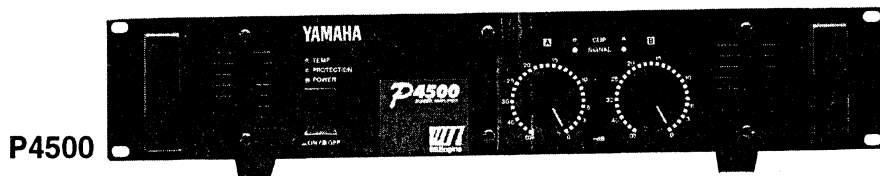


POWER AMPLIFIER

P1600/P3200/P4500

SERVICE MANUAL



■ CONTENTS(目次)

SPECIFICATIONS(総合仕様)	2/3
PANEL LAYOUT(パネルレイアウト)	4
DIMENSIONS(寸法図)	5
BLOCK DIAGRAM(ブロックダイアグラム)	5
CIRCUIT BOARD LAYOUT & WIRING (ユニットレイアウトと基板結線図)	6
DISASSEMBLY PROCEDURE(分解手順)	10
IC BLOCK DIAGRAM(ICブロック図)	13
POWER CONSUMPTION vs OUTPUT POWER GRAPH (消費電力対出力特性図)	13
CIRCUIT BOARD(シート基板図)	14/19
INSPECTIONS(検査)	20/23
CAUTION FOR SPEAKER CONNECTION (スピーカー配線)	26/27
TROUBLESHOOTING(トラブルシューティング)	26/27
PARTS LIST	

PA 011374

19971020 P1600- 95000
P3200-145000
P4500-165000

YAMAHA CORP.

HAMAMATSU, JAPAN

1.94K-455 ① Printed in Japan '97.7

IMPORTANT NOTICE

This manual has been provided for the use of authorized Yamaha Retailers and their service personnel. It has been assumed that basic service procedures inherent to the industry, and more specifically Yamaha Products, are already known and understood by the users, and have therefore not been restated.

WARNING: Failure to follow appropriate service and safety procedures when servicing this product may result in personal injury, destruction of expensive components and failure of the product to perform as specified. For these reasons, we advise all Yamaha product owners that all service required should be performed by an authorized Yamaha Retailer or the appointed service representative.

IMPORTANT: The presentation or sale of this manual to any individual or firm does not constitute authorization, certification, recognition of any applicable technical capabilities, or establish a principal-agent relationship of any form.

The data provided is believed to be accurate and applicable to the unit(s) indicated on the cover. The research, engineering, and service departments of Yamaha are continually striving to improve Yamaha products. Modifications are, therefore, inevitable and changes in specification are subject to change without notice or obligation to retrofit. Should any discrepancy appear to exist, please contact the distributor's Service Division.

WARNING: Static discharges can destroy expensive components. Discharge any static electricity your body may have accumulated by grounding yourself to the ground buss in the unit (heavy gauge black wires connect to this buss).

IMPORTANT: Turn the unit **OFF** during disassembly and parts replacement. Recheck all work before you apply power to the unit.

WARNING: CHEMICAL CONTENT NOTICE!

The solder used in the production of this product contains LEAD. In addition, other electrical/electronic and/or plastic (where applicable) components may also contain traces of chemicals found by the California Health and Welfare Agency (and possibly other entities) to cause cancer and/or birth defects or other reproductive harm.

DO NOT PLACE SOLDER, ELECTRICAL/ELECTRONIC OR PLASTIC COMPONENTS IN YOUR MOUTH FOR ANY REASON WHAT SO EVER!

Avoid prolonged, unprotected contact between solder and your skin! When soldering, do not inhale solder fumes or expose eyes to solder/flux vapor!

If you come in contact with solder or components located inside the enclosure of this product, wash your hands before handling food.

■ WARNING

Components having special characteristics are marked **△** and must be replaced with parts having specification equal to those originally installed.

△ 印の部品は、安全を維持するために重要な部品です。交換する場合は、安全のため必ず指定の部品をご使用下さい。

■ SPECIFICATIONS

● General Specifications P4500, P3200, P1600

		P4500	P3200	P1600
Power Output Level (Rated Power) 20 Hz~20 kHz 0.05%	8Ω/STEREO	460 W + 460 W	340 W + 340 W	160 W + 160 W
	4Ω/STEREO	620 W + 620 W	440 W + 440 W	200 W + 200 W
	8Ω/BRIDGE	1240 W	880 W	400 W
1 kHz 0.05%	8Ω/STEREO	520 W + 520 W	370 W + 370 W	175 W + 175 W
	4Ω/STEREO	720 W + 720 W	520 W + 520 W	230 W + 230 W
	8Ω/BRIDGE	1440 W	1040 W	460 W
1 kHz, 20 ms, no clip	2Ω/STEREO	1300 W + 1300 W	950 W + 950 W	350 W + 350 W
Power Bandwidth	Half Power, 0.1%	10 Hz~40 kHz		
Total Harmonic Distortion (THD + N) 20 Hz~20 kHz, Half Power	4~8Ω/STEREO 8Ω/BRIDGE	0.05%		
Frequency Response		10 Hz~50 kHz, +0, -1 dB		
Intermodulation distortion (IMD) 7 kHz: 60 Hz, 1: 4, Half Power	4~8Ω/STEREO 8Ω/BRIDGE	0.05%		
Damping factor	1 kHz, 8Ω	200		
Input Impedance		30 kΩ/Balance, 15 kΩ/Unbalanced		
Residual Noise	Vol. min. 12.7 kHz LPF IHF-A network	-80 dB		
SN Ratio	Input 600Ω shunt 12.7 kHz LPF IHF-A network	105 dB	104 dB	101 dB
Channel Separation	Half Power, 8Ω, Vol. max. input 600Ω shunt	65 dB, 20 Hz~20 kHz 75 dB, 1 kHz		
Slew Rate	STEREO 8Ω full swing	>30 V/μ sec >50 V/μ sec		
Sensitivity (Vol. max.) Rated Power into 8Ω		+5.7 dB	+4.2 dB	+1.2 dB
Voltage Gain (Vol. max.)		32.1 dB		
Controls	Front Panel	POWER switch (Push on/Push off) Volume (31 position dB calibrated) Mode switch (STEREO/BRIDGE/PARALLEL)		
	Rear Panel			
Connectors	Input	Barrier strip terminal XLR-3-31 type 1/4-inch phone jack (balanced) 5-way binding posts		
	Output			
Indicators	POWER TEMP PROTECTION (mute) CLIP OUTPUT SIGNAL	(heatsink temp ≥ 85°C) × 2 × 2		
Protection Circuits		POWER switch ON/OFF, Muting, DC detection TEMP (heatsink temp ≥ 95°C)		
PC limiter		RL ≤ 1Ω		
Fan Circuits		Low speed (50°C), Variable, High speed (70°C)		
Power Requirements	United States & Canada Europe Other	120 V, 60 Hz 230 V, 50 Hz 240 V, 50 Hz		
Power Consumption		500 W/650 VA	400 W/500 VA	200 W/250 VA
Dimensions (W × H × D)		480 × 103.5 × 455 mm		
Weight		16 kg	15 kg	12 kg
Accessories		Security cover		
Options		Ventilation panel: VP1		

0 dB=0.775 Vrms. Half Power=1/2 Power Output Level (Rated Power)

■ 総合仕様

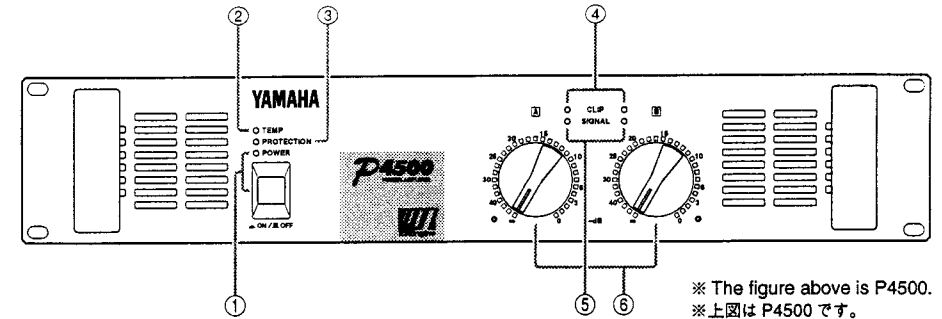
● 一般仕様 P4500, P3200, P1600

		P4500	P3200	P1600
出力レベル	8 Ω/STEREO	450W+450W	320W+320W	160W+160W
	20Hz~20kHz, 0.05%	600W+600W	430W+430W	200W+200W
	4 Ω/STEREO	1200W	860W	400W
	8 Ω/BRIDGE			
1kHz, 0.05%	8 Ω/STEREO	490W+490W	350W+350W	175W+175W
	4 Ω/STEREO	680W+680W	480W+480W	230W+230W
	8 Ω/BRIDGE	1360W	960W	460W
	1kHz, 20ms, ノンクリップ	2 Ω/STEREO	1300W+1300W	950W+950W
出力帯域幅	Half Power, 0.1%	10Hz~40kHz		
全高調波ひずみ率 (THD+N) 20Hz~20kHz, Half Power	4~8 Ω/STEREO	0.05%		
	8 Ω/BRIDGE			
ライン入力周波数特性		10Hz~50kHz, +0, -1dB		
混変調ひずみ率 (IMD) 7kHz: 60Hz, 1: 4, Half Power	4~8 Ω/STEREO	0.05%		
	8 Ω/BRIDGE			
ダンピングファクター	1kHz, 8 Ω	200		
入力インピーダンス		30k Ω/バランス型, 15k Ω/アンバランス型		
残留ノイズ ボリューム min.	12.7kHz LPF	-75dB		
	IHF-A network			
SN比 入力 600 Ω シャント	12.7kHz LPF IHF-A network	105dB	104dB	101dB
		チャンネル間セパレーション		
		Half Power, 8 Ω, ボリュームmax. 入力 600 Ω シャント		
スルーレート	STEREO	30V/μs以上		
	8 Ω フルスイング BRIDGE	50V/μs以上		
センシティブィティ (ボリューム max.) Rated Power into 8 Ω		+5.7dB	+4.2dB	+1.2dB
		32.1dB		
ボルトゲイン (ボリューム max.)		32.1dB		
	コントロール	フロントパネル	POWERスイッチ ボリューム (31ポジションdBコントロール)	
	リアパネル	モードスイッチ (STEREO/BRIDGE/PARALLEL)		
コネクタ	INPUT	バリア・ストリップ端子 XLR-3-31タイプ 1/4インチ フォンジャック (バランス型) 5ウェイバイディング・ポスト		
	OUTPUT			
インジケータ	POWER	(ヒートシンク温度 ≥ 85℃)		
	TEMP	× 2		
	PROTECTION (ミュート)	× 2		
	CLIP SIGNAL	× 2		
プロテクション		Powerスイッチ オン/オフ、ミュート、DC検出 TEMP (ヒートシンク温度 ≥ 95℃)		
PC リミッター		RL ≤ 1 Ω		
冷却ファンスピード		低速 (50℃) → 可変 → 高速 (70℃)		
電源		100V, 50/60Hz		
消費電力		400W	350W	170W
最大外形寸法 (W × H × D)		480 × 103.5 × 455mm, パネル高さ: 88mm, パネル奥行: 405.6mm		
重量		16kg	15kg	12kg
付属品		セキュリティカバー		
オプション		ベンチレーションパネル: VP1		

0dB=0.775 Vrms, Half Power=1/2 Power Output Level (Rated Power)

■ PANEL LAYOUT (パネルレイアウト)

● Front Panel (フロントパネル)

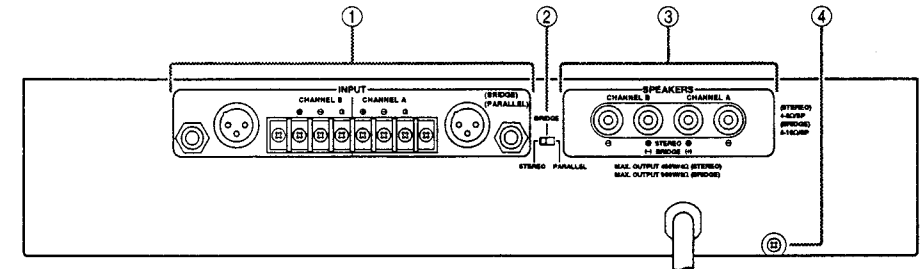


※ The figure above is P4500.
※ 上図は P4500 です。

- ① POWER switch & indicator
- ② TEMP indicator
- ③ PROTECTION indicator

- ④ CLIP indicators
- ⑤ SIGNAL indicators
- ⑥ Volume controls

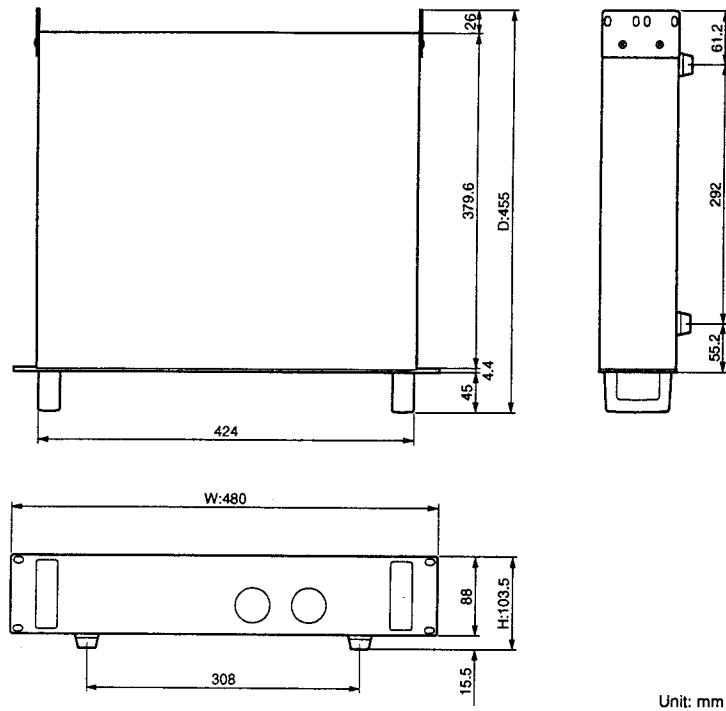
● Rear Panel (リアパネル)



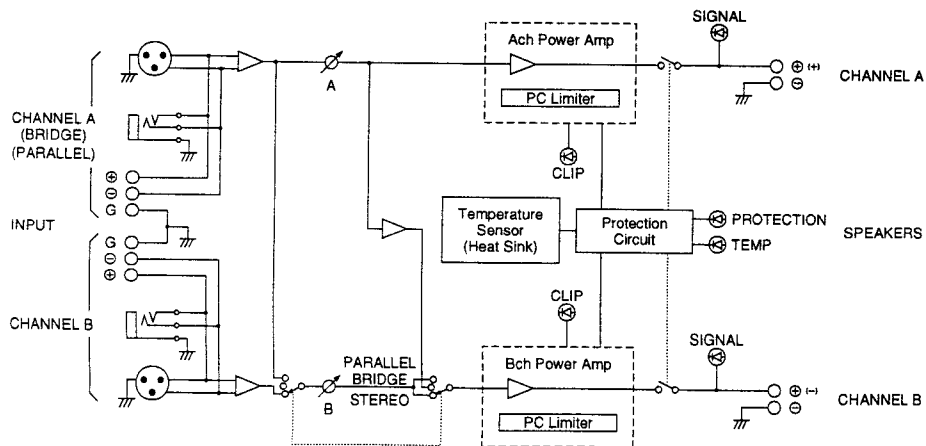
- ① INPUT terminals (CHANNEL A, B)
- ② STEREO/BRIDGE/PARALLEL switch

- ③ SPEAKER terminals
- ④ GND terminal

■ DIMENSIONS (寸法図)

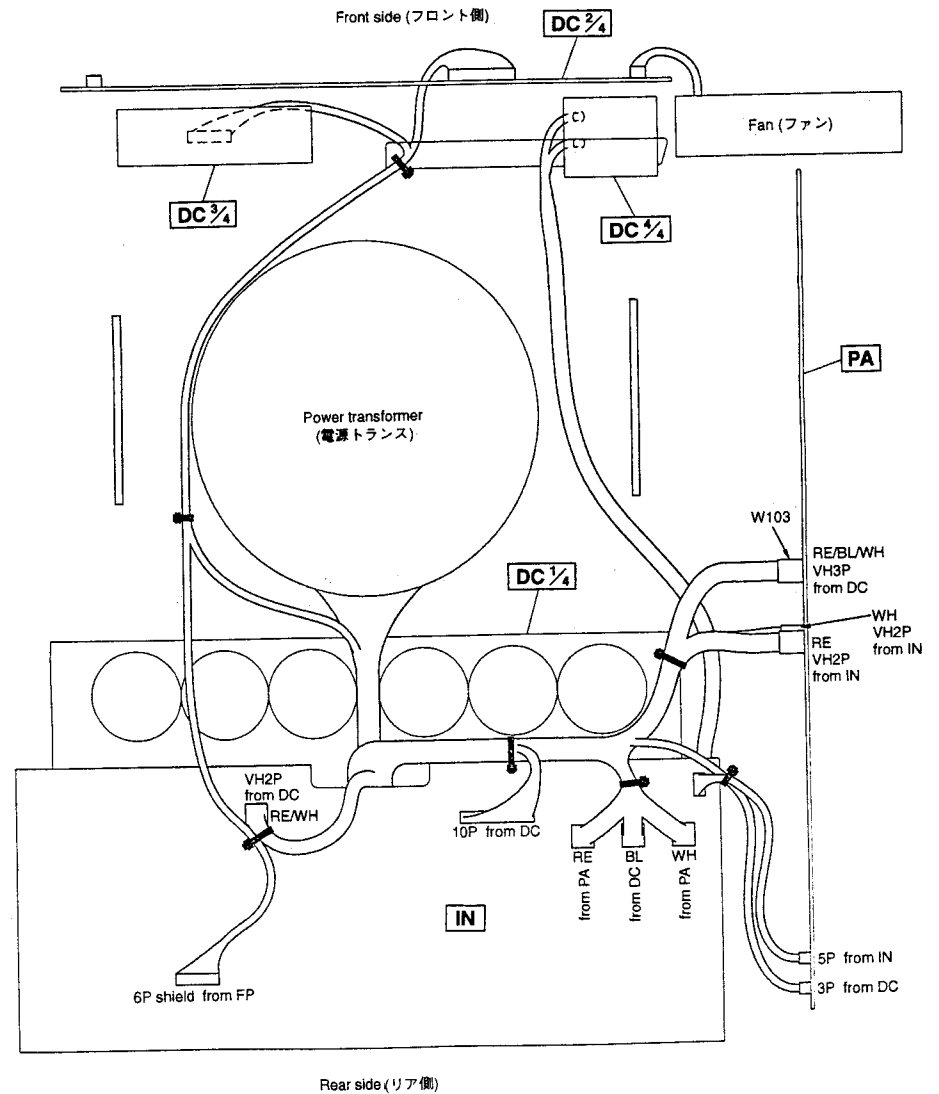


■ BLOCK DIAGRAM (ブロックダイアグラム)

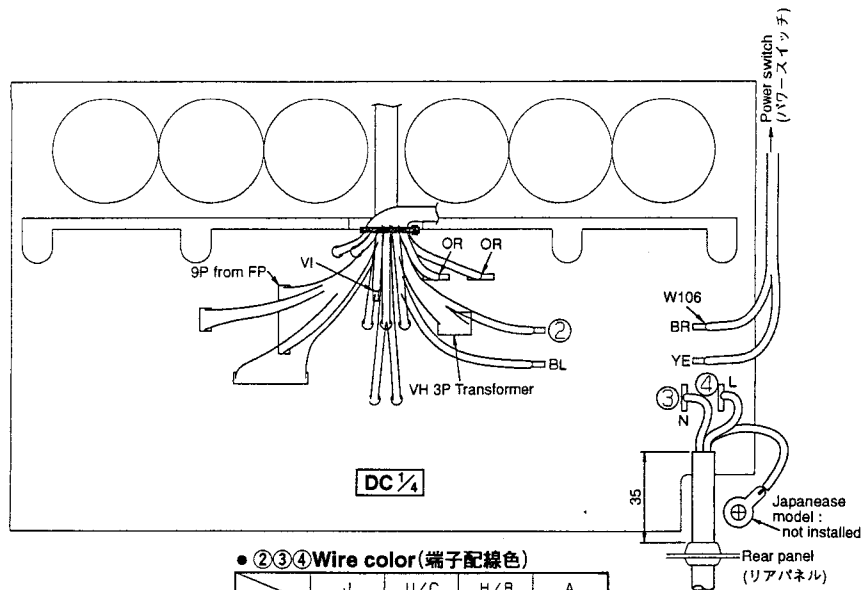


■ CIRCUIT BOARD LAYOUT & WIRING (ユニットレイアウトと基板結線図)

● P1600 Circuit Board Wiring



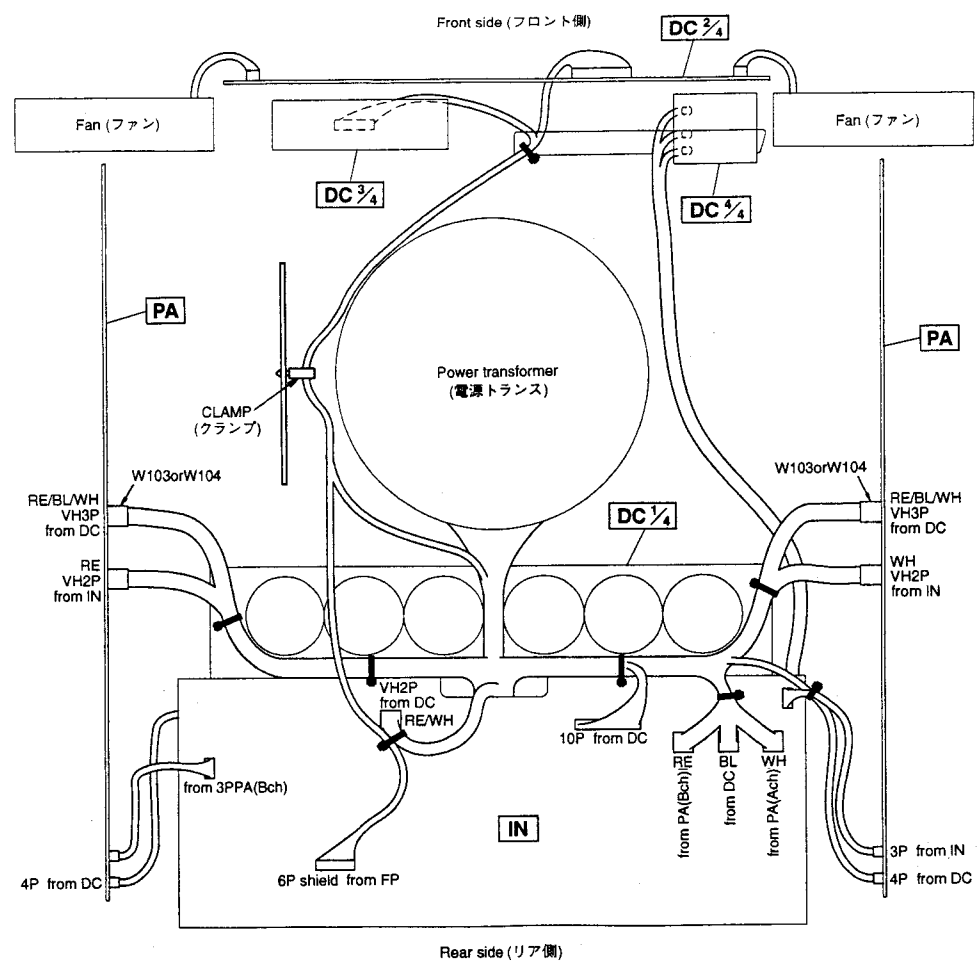
● DC Circuit Board (P1600)



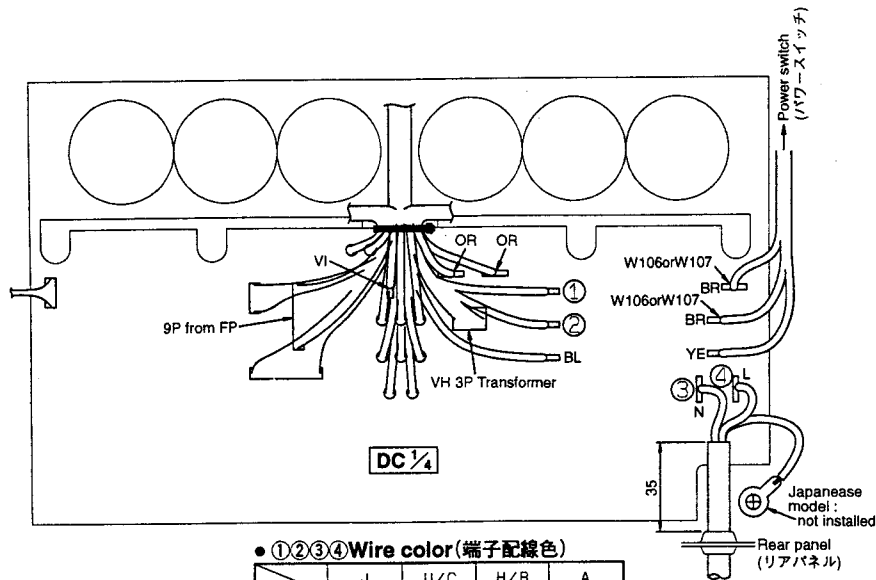
● ②③④ Wire color (端子配線色)

	J	U/C	H/B	A
②	YE	BR	BE	RE
③	WH	WH	BE	BE
④	BL	BL	BR	BR

● P3200/P4500 Circuit Board Wiring



● DC Circuit Board (P4500/P3200)



● ①②③④ Wire color (端子配線色)

	J	U/C	H/B	A
① ②	YE	BR	BE	RE
③	WH	WH	BE	BE
④	BL	BL	BR	BR

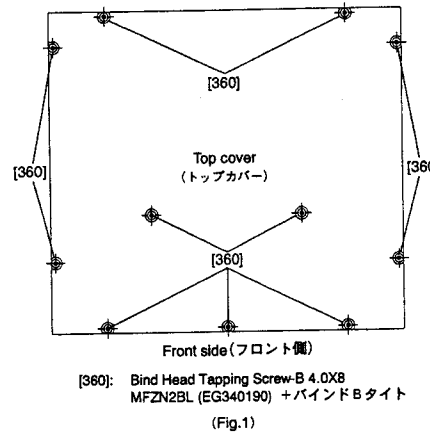
■ DISASSEMBLY PROCEDURE (分解手順)

1. Top Cover

1-1 Remove the eleven (11) screws marked [360]. Then the top cover can be removed. (Fig. 1)

2. Panel Assembly

2-1 Remove the six (6) screws marked [280], and the four (4) screws marked [270]. Then the panel assembly can be removed. (Fig. 2, Fig. 3)

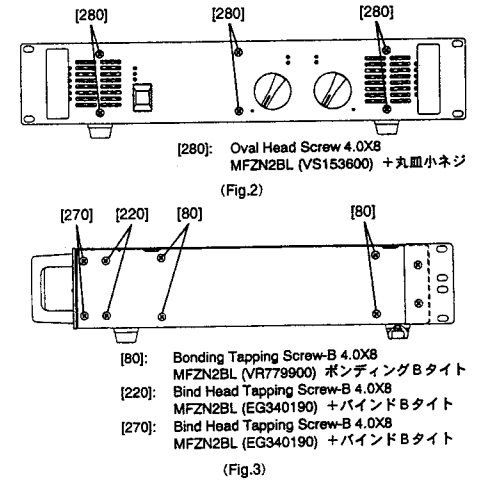


1. トップカバー

1-1 [360]のネジ 11 本を外し、トップカバーを外します。(図 1)

2. パネル Ass'y

2-1 [280]のネジ 6 本と[270]のネジ 4 本を外し、パネル Ass'y を外します。(図 2、図 3)

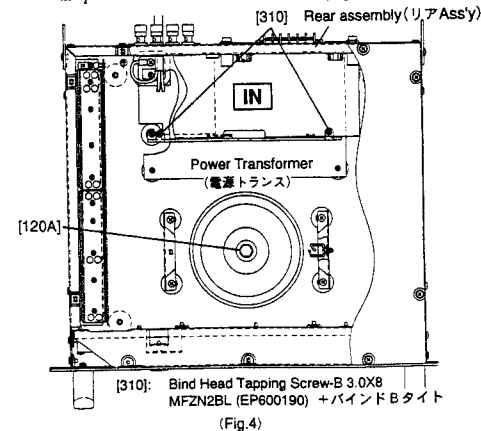


3. Rear Assembly

3-1 Remove the top cover. (See procedure 1)
 3-2 Remove the two (2) screws marked [310] and the six (6) screws marked [300]. Then the rear assembly can be removed. (Fig. 4, Fig. 5)

4. Power Transformer

4-1 Remove the top cover. (See procedure 1)
 4-2 Remove the rear assembly. (See procedure 3)
 4-3 Remove the hexagonal bolt marked [120A]. Then the power transformer can be removed. (Fig. 4)



3. リア Ass'y

3-1 トップカバーを外します。(1 項参照)
 3-2 [310]のネジ 2 本と[300]のネジ 6 本を外し、リア Ass'y を外します。(図 4、図 5)

4. 電源トランス

4-1 トップカバーを外します。(1 項参照)
 4-2 リア Ass'y を外します。(3 項参照)
 4-3 [120A]の六角ボルトを外し、電源トランスを外します。(図 4)

5. IN Circuit Board

- 5-1 Remove the top cover. (See procedure 1)
- 5-2 Remove the rear assembly. (See procedure 3)
- 5-3 Remove the six (6) screws marked [R30], the two (2) screws marked [R40] and the two (2) hexagonal nuts marked [A]. Then the IN Circuit Board can be removed. (Fig. 5)

6. DC 1/4 Circuit Board

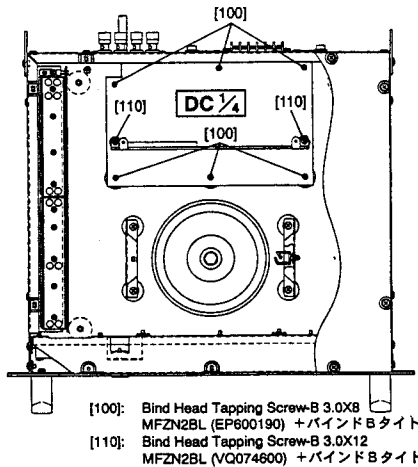
- 6-1 Remove the top cover. (See procedure 1)
- 6-2 Remove the rear assembly. (See procedure 3)
- 6-3 Remove the six (6) screws marked [100] and the two (2) screws marked [110]. Then the DC 1/4 circuit board can be removed. (Fig. 6)

7. DC 2/4 Circuit Board

- 7-1 Remove the top cover. (See procedure 1)
- 7-2 Remove the panel assembly. (See procedure 2)
- 7-3 Remove the plastic rivet marked [190]. (Fig. 7)
- 7-4 Press one of the four (4) heads of the circuit board supports marked [170], and gently pull the DC 2/4 circuit board. Repeat this procedure with the remaining heads until you can remove the DC 2/4 circuit board. (Fig. 7)

8. DC 3/4 Circuit Board

- 8-1 Remove the top cover. (See procedure 1)
- 8-2 Remove the panel assembly. (See procedure 3)
- 8-3 Remove the DC 2/4 circuit board. (See procedure 7)
- 8-4 Remove the two (2) attenuation knobs marked [240]. (Fig. 7)
- 8-5 Remove the four (4) screws marked [180]. Then the angle bracket with the DC 3/4 circuit board can be removed. (Fig. 7)
- 8-6 Remove the two (2) hexagonal nuts marked [VR101A] and [VA102A]. Then the DC 3/4 circuit board can be removed. (Fig. 7)



[100]: Bind Head Tapping Screw-B 3.0X8 MFZN2BL (EP600190) + バインド B タイト
 [110]: Bind Head Tapping Screw-B 3.0X12 MFZN2BL (VQ074600) + バインド B タイト

(Fig.6)

5. IN シート

- 5-1 トップカバーを外します。(1項参照)
- 5-2 リア Ass'y を外します。(3項参照)
- 5-3 [R30]のネジ 6 本と[R40]のネジ 2 本と[A]の六角ナット 2 本を外し、IN シートを外します。(図 5)

6. DC 1/4 シート

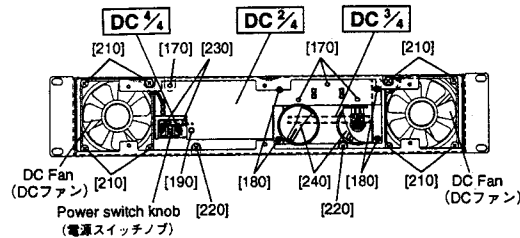
- 6-1 トップカバーを外します。(1項参照)
- 6-2 リア Ass'y を外します。(3項参照)
- 6-3 [100]のネジ 6 本と[110]のネジ 2 本を外し、DC 1/4 シートを外します。(図 6)

7. DC 2/4 シート

- 7-1 トップカバーを外します。(1項参照)
- 7-2 パネル Ass'y を外します。(2項参照)
- 7-3 [190]のブラリベットを外します。(図 7)
- 7-4 [170]のシートサポートの頭を掴んで DC 2/4 シートを軽く引いて 1 つずつ抜き取り、4 か所抜き取って DC 2/4 シートを外します。(図 7)

8. DC 3/4 シート

- 8-1 トップカバーを外します。(1項参照)
- 8-2 パネル Ass'y を外します。(3項参照)
- 8-3 DC 2/4 シートを外します。(7項参照)
- 8-4 [240]のアッティネーターノブを 2 個外します。(図 7)
- 8-5 [180]のネジ 4 本を外し、DC 3/4 シートの付いたアッティネーターアングルを外します。(図 7)
- 8-6 [VR101A]と[VR102A]の六角ナットを外し、DC 3/4 シートを外します。(図 7)



[180]: Bind Head Tapping Screw-B 3.0X8 MFZN2BL (EP600190) + バインド B タイト
 [210]: Bind Head Screw 4.0X30 MFZN2Y (VQ866300) + バインド小ネジ
 [220]: Bind Head Tapping Screw-B 4.0X8 MFZN2BL (EG340190) + バインド B タイト
 [230]: Bind Head Screw 3.0X8 MFZN2BL (VB659000) + バインド小ネジ

(Fig.7)

9. DC 4/4 Circuit Board

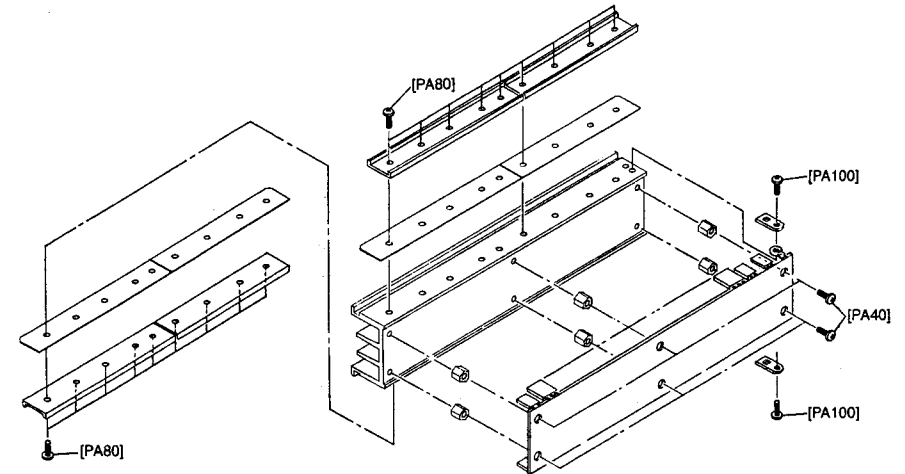
- 9-1 Remove the top cover. (See procedure 1)
- 9-2 Remove the panel assembly. (See procedure 3)
- 9-3 Remove the power switch knob. (Fig. 7)
- 9-4 Remove the two (2) screws marked [230]. Then the DC 4/4 circuit board can be removed. (Fig. 7)

10. PA Unit

- 10-1 Remove the top cover. (See procedure 1)
 - 10-2 Remove the four (4) screws marked [80]. Then the one of the PA units can be removed. (Fig. 3)
- *Each model of P4500 and P3200 has two (2) PA units, but the model P1600 has the only one (1) PA unit at the left side.*

11. PA Circuit Board

- 11-1 Remove the top cover. (See procedure 1)
- 11-2 Remove the PA unit. (See procedure 10)
- 11-3 Remove the eighteen (18) screws marked [PA80], the two (2) screws marked [PA100] and the six (6) screws marked [PA40]. Then the PA circuit board can be removed. (Fig. 8)



[PA40]: Bind Head Screw SP 3.0X8 MFZN2Y (EG330290) + バインド小ネジ
 [PA80]: Bind Head Tapping Screw-B 3.0X12 MFZN2BL (VQ074600) + バインド B タイト
 [PA100]: Bind Head Tapping Screw-B 3.0X12 MFZN2BL (VQ074600) + バインド B タイト

(Fig.8)

12. DC Fan

- 12-1 Remove the top cover. (See procedure 1)
 - 12-2 Remove the panel assembly. (See procedure 3)
 - 12-3 Remove the six (6) screws marked [220]. Then the front chassis with the DC fans and another parts can be removed. (Fig. 3, Fig. 7)
 - 12-4 Remove the four (4) screws marked [210] at one DC fan. Then the DC fan can be removed. The other one can be removed in the same manner. (Fig. 7)
- *Each model of P4500 and P3200 has two (2) DC fans, but the model P1600 has the one (1) DC fan on the left side only.*

9. DC 4/4 シート

- 9-1 トップカバーを外します。(1項参照)
- 9-2 パネル Ass'y を外します。(3項参照)
- 9-3 パワースイッチノブを外します。(図 7)
- 9-4 [230]のネジ 2 本を外し、DC 4/4 シートを外します。(図 7)

10. PA ユニット

- 10-1 トップカバーを外します。(1項参照)
- 10-2 [80]のネジ 4 本を外し、PA ユニートを外します。(図 3)

**P4500 と P3200 には PA ユニートが 2 セット付いていますが、P1600 には左側に 1 セットだけ付いています。*

11. PA シート

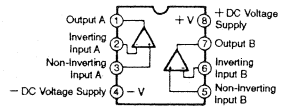
- 11-1 トップカバーを外します。(1項参照)
- 11-2 PA ユニートを外します。(10項参照)
- 11-3 [PA80]のネジ 18 本と[PA100]のネジ 2 本と[PA40]のネジ 6 本を外し、PA シートを外します。(図 8)

12. DC ファン

- 12-1 トップカバーを外します。(1項参照)
 - 12-2 パネル Ass'y を外します。(3項参照)
 - 12-3 [220]のネジ 6 本を外し、DC ファンとその他の部品の付いたフロントシャーシーを外します。(図 3、図 7)
 - 12-4 [210]のネジ 4 本を外し、片方の DC ファンを外します。もう一方も同様にして外せます。(図 7)
- *P4500 と P3200 には DC ファンが 2 セット付いていますが、P1600 には左側に 1 セットだけ付いています。*

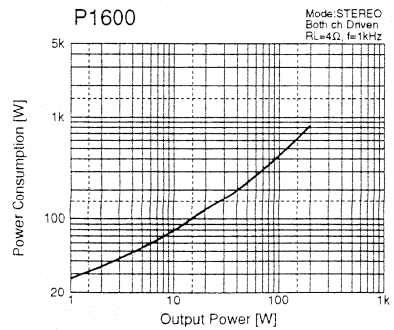
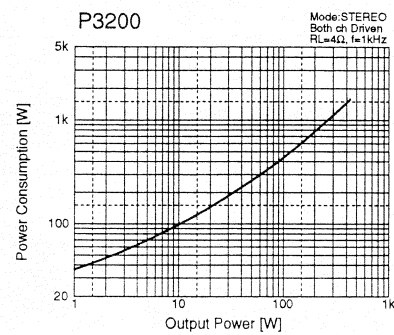
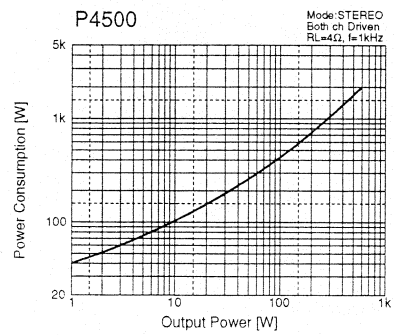
■ IC BLOCK DIAGRAM (ICブロック図)

- M5238AP (XM085A00)
Dual Operational Amplifier



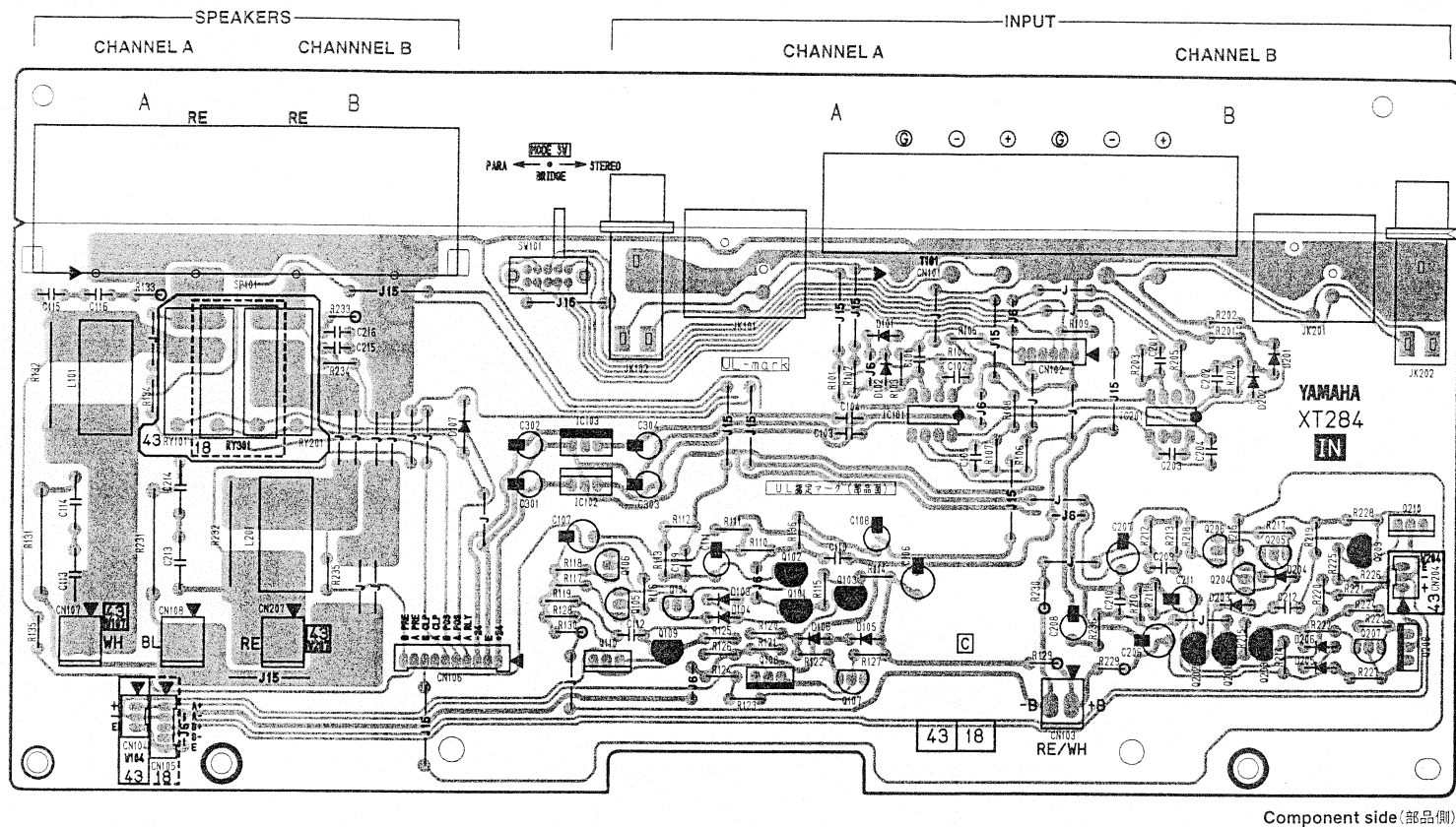
■ POWER CONSUMPTION vs OUTPUT POWER GRAPH

(消費電力対出力特性図)



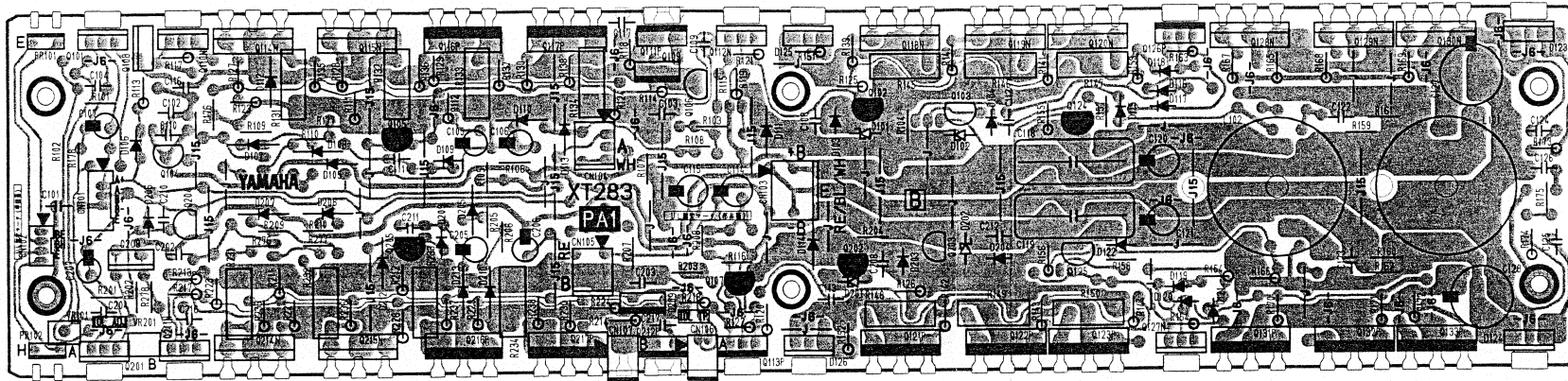
■ CIRCUIT BOARD (シート基板図)

● IN Circuit Board



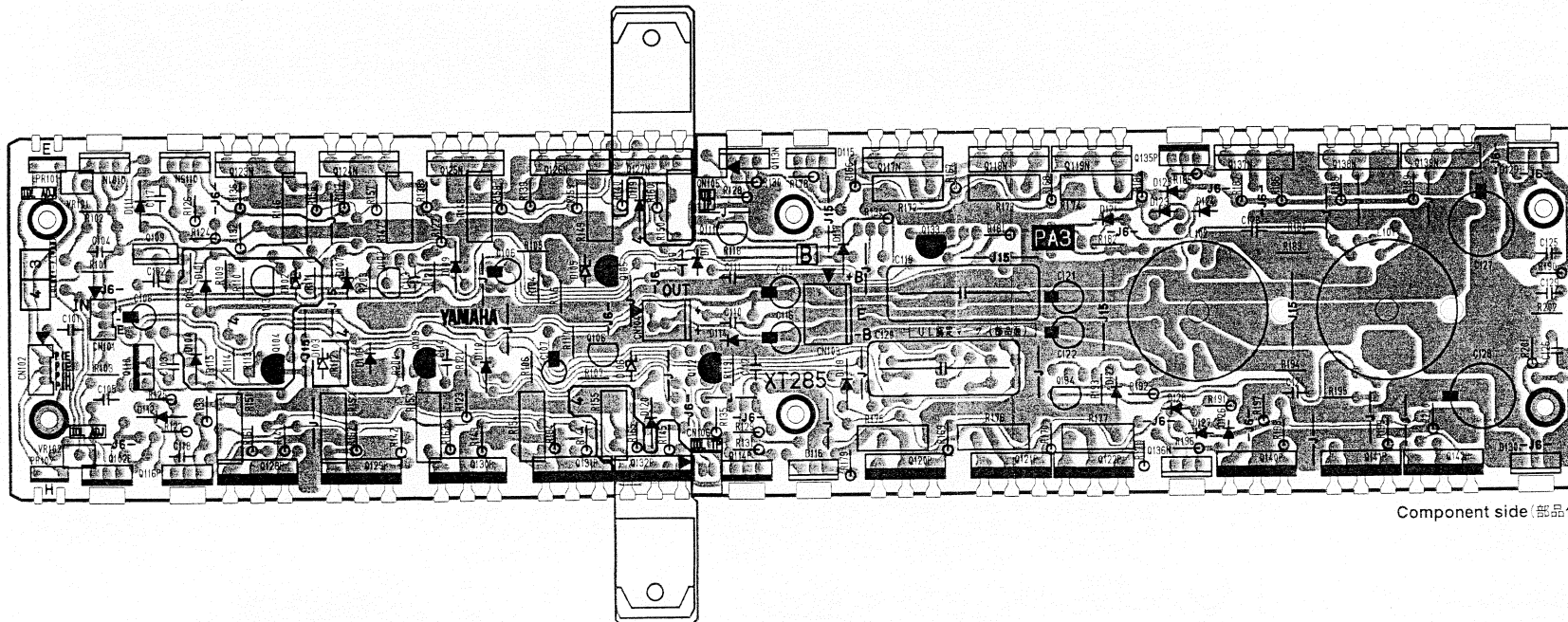
Note : See parts list for details of circuit board component parts.
 注 : シートの部品詳細はパーツリストをご参照下さい。

● PA Circuit Board (P1600)



Component side (部品側)

● PA Circuit Board (P3200, P4500)

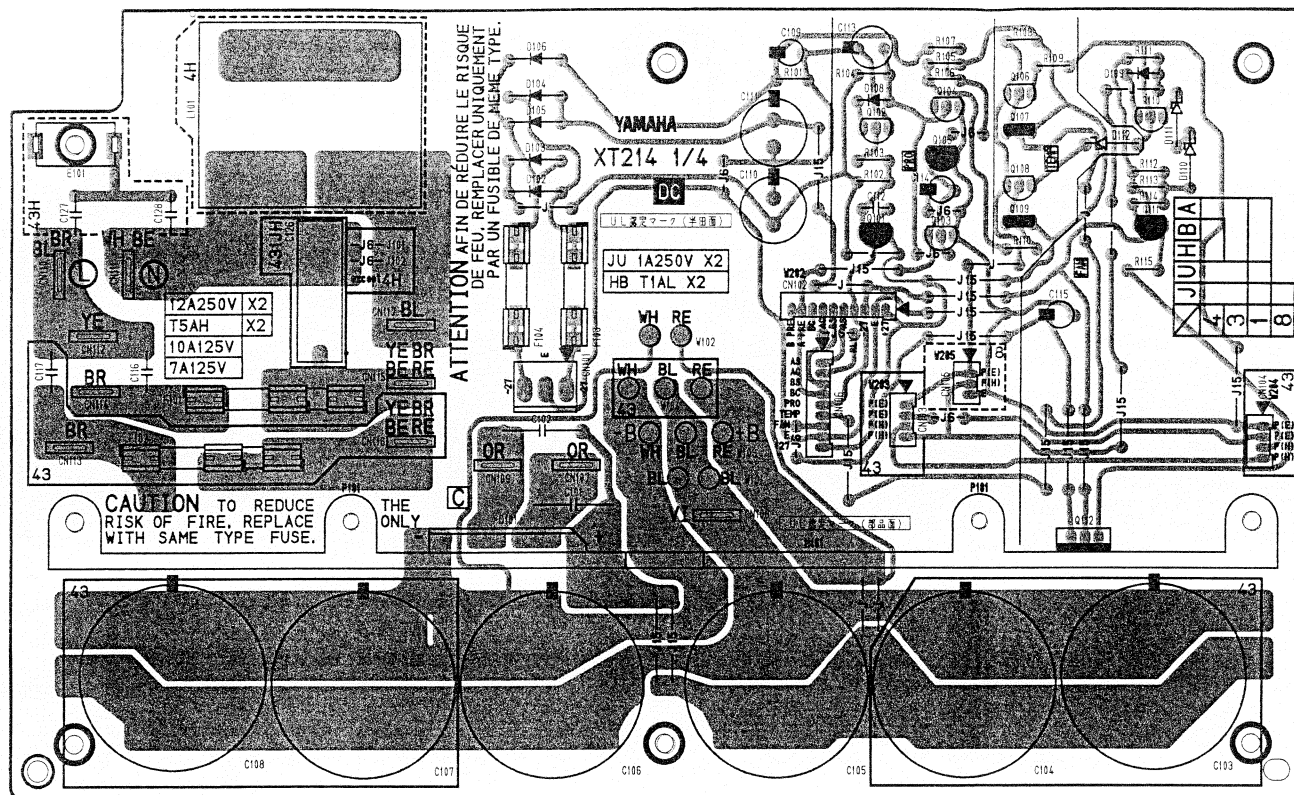


Component side (部品側)

Note : See parts list for details of circuit board component parts.

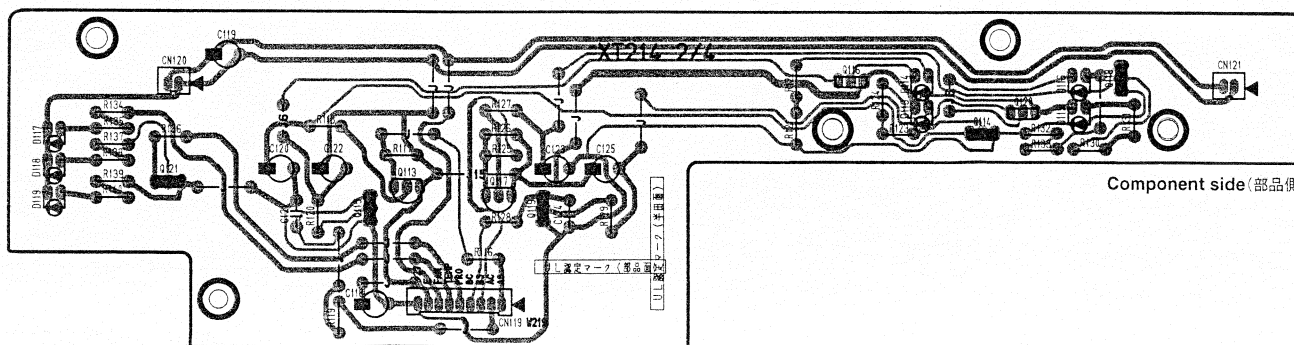
注 : シートの部品詳細はパーツリストをご参照下さい

● DC 1/4 Circuit Board



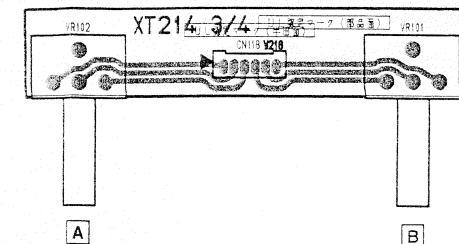
Component side (部品側)

● DC 2/4 Circuit Board



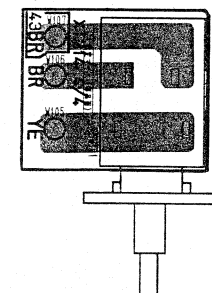
Component side (部品側)

● DC 3/4 Circuit Board



Component side (部品側)

● DC 4/4 Circuit Board



POWER
Component side (部品側)

Note : See parts list for details of circuit board component parts.
注 : シートの部品詳細はパーツリストをご参照下さい。

INSPECTIONS

A STEREO and PARALLEL Operation

Before performing any following adjustments, set the unit as follows:

1. Set the ATTENUATIONS at "0".
2. Input terminal: Cannon connector pin 2 is HOT, pins 1 and 3 GROUND.
3. MODE switch: STEREO
4. Output terminal: RL = 4 ohm/more than 500 W
5. Others: Both Channel operation is required, if no particular indication.

Adjustment Specifications

1. Fan Test

When turning on the power switch, confirm that both fans of right and left sides regulate at low speed. (Model P1600: left side only) And also confirm that if the CN102 on the PA circuit board of the A channel is disconnected, both fans rotate at high speed and the TEMP indicator lights on. After this test, connect the CN 102 as it was.

2. Muting Test

After applying power to the unit, the PROTECTION indicator should remain ON 2.5 ± 1 seconds to indicate that the protection circuitry is operating and the indicator should go out. NO signal is output while this indicator lit.

3. Idle Current Test

Connect the input terminal to the GROUND and adjust the VR102 (A channel) and VR101 (B channel) that the DC voltage Vb between the pin 1 and pin 2 of the CN106 (A channel) and the CN105 (B channel) should be 1.0 ± 0.2 mV. (Model P1600: Connect the input terminal to the GROUND and adjust the VR101 (A channel) and VR201 (B channel) that the DC voltage Vb between the pin 1 and pin 2 of the CN106 (A channel) and the CN107 (B channel) should be 1.0 ± 0.2 mV.) And After finishing all tests, adjust the Vb again to 1.0 ± 0.2 mV.

4. Input Terminal DC offset

Connect the input terminal to the GROUND and check that the DC voltage Vdc of the output terminal should be 0 ± 75 mV.

5. Gain Test

Check that the OUTPUT should be +22.1 ± 0.5 dBu, when a sine wave of 1 kHz at -10 dBu is applied to the INPUT. This test should be performed on PARALLEL operation.

6. Frequency Response Test

When a sine wave of 20 Hz, 1 kHz or 20 kHz at -10 dBu is applied to the INPUT, check that the output is 0 ± 0.5 dB at 20 Hz and -0.5 ± 0.5 dB at 20kHz taking the 1 kHz as a reference.

7. Harmonic Distortion Test

When a high quality sine wave is applied at 20 Hz, 1 kHz or 20 kHz, the harmonic distortion should be as follows:

Power output level (4 ohm)	THD		
	20 Hz	1 kHz	20 kHz
P4500 600 W + 600 W (+36.0 dBu/ch)	≤ 0.1 %	≤ 0.05 %	≤ 0.1 %
P3200 430 W + 430 W (+34.6 dBu/ch)			
P1600 200 W + 200 W (+31.2 dBu/ch)			

※This test should have been finished within 30 minutes.

8. Channel Separation Test

- 8-1 Apply a -5 dBu, 20kHz sine wave into the channel A.
- 8-2 Short the input for the channel B with a 600 ohm load.
- 8-3 Set the output of the channel A at a reference of 0 dB.
- 8-4 If channel B attenuator is set to the same as channel A, channel B output should be less than -65 dB. (RL = 8 ohm)

9. Noise Test

- 9-1 Set the input attenuator to "0".
- 9-2 Short the input with a 600 ohm load.
- 9-3 Measure at the output, noise level should be less than -65 dBm.
- 9-4 Set the input attenuator to "∞", noise level should be less than -70 dBu.

※Be careful that it is not affected by noise induced during this inspection.

10. Stability Test

When a rectangular wave 10 kHz, -10 dBu is applied to the input and a capacitor 10 pF~0.47 μF is connected with 4 ohm load resistor in parallel, the overshoot and the ringing should be as follows.

Overshoot: $V_p/V_o \leq 1.8$

Ringing: less than 5 waves

Next, when the 4 ohm load resistor is removed and the load is the capacitor 10pF~0.47 μF only, the overshoot and the ringing should be as follows.

Overshoot: $V_p/V_o \leq 2.5$

Ringing: fade away in less than 7 waves and no oscillation

11. Protection Circuitry Test

Check that the relay does not work when you apply a sine wave of +7.0 dBu (P4500), +5.6 dBu (P3200) or 2.2 dBu (P1600) at 10 Hz to the input and adjust the input level to obtain a clipped output wave form.

Next, check that when you apply a sine wave of 1 Hz, 0 dBu to the input, the signal is cut off within 2 seconds, and the PROTECTION indicator should light up.

Finally, check that when no signal is applied, the amplifier would resume to normal operation within 10 seconds.

12. PC Limiter Circuitry Test

Check that the OUTPUT should be as follows with an oscilloscope when a sine wave of 0 dBu (P4500), -1.5 dBu (P3200) or -4.5 dBu (P1600) at 1 kHz is applied to the INPUT and the output is shorted with a 1 ohm load (±5%).

Model	Output level
P4500	$V_{p-p} \leq 60V$
P3200	$V_{p-p} \leq 40V$
P1600	$V_{p-p} \leq 34V$

※This test should have been finished within 30 minutes.

13. Signal Indicator Test

When a sine wave of 1 kHz, -23 dBu is applied to the input, SIGNAL indicator should light up.

14. Efficiency Test

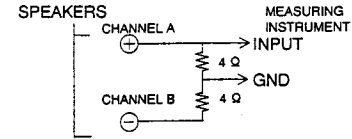
When a sine wave of -5 dBu (P4500), -6.5 dBu (P3200) or -9.5 dBu (P1600) at 1 kHz is applied to the input, the primary side power consumption should be as follows.

Model	Power Consumption
P4500	350 ± 50 W
P3200	250 ± 50 W
P1600	145 ± 30 W

B BRIDGE Operation

Before performing any following adjustments, set the unit as follows:

1. Set the ATTENUATIONS at "0".
2. Input terminal: Cannon connector pin 2 is HOT, pins 1 and 3 GROUND.
3. MODE switch: BRIDGE
4. Output terminal: (A ch+, B ch+) RL = 4 + 4 ohm/more than 500 W
5. Connection for measuring: Measure the output at the point as shown below.



Adjustment Specifications

1. Gain Test

Check that the OUTPUT should be +22.1 ± 1.0 dBu, when asine wave of 1 kHz at -10 dBu is applied to the INPUT.

2. Frequency Response Test

When a sine wave of 20 Hz, 1 kHz or 20 kHz at -10 dBu is applied to the INPUT, check that the output is 0 ± 0.5 dB at 20 Hz and -0.5 ± 0.5 dB at 20kHz taking the 1 kHz as a reference.

3. Harmonic Distortion Test

When a high quality sine wave is applied at 20 Hz, 1 kHz or 20 kHz, the harmonic distortion should be as follows:

Power output level (4 ohm)		THD		
		20 Hz	1 kHz	20 kHz
P4500	+36.0 dBu	≤ 0.1 %	≤ 0.05 %	≤ 0.1 %
P3200	+34.6 dBu			
P1600	+31.2 dBu			

※This test should have been finished within 30 minutes.

4. Noise Test

- 9-1 Set the input attenuator to "0".
- 9-2 Short the input with a 600 ohm load.
- 9-3 Measure at the output, noise level should be less than -60 dBm. (LR = 8 ohm)
- 9-4 Set the input attenuator to "∞", noise level should be less than -60 dBu

※Be careful that it is not affected by noise induced during this inspection.

C Settings after the test

The attenuator should set to "∞".

The MODE switch should set to STEREO.

D Others

0 dBu = 0,775 V

When measuring noise level,use a DIN audio filter.

■ 検査

A STEREO モード、PARALLEL モード時の検査

準備

1. 入力アッティネーター : "0"の位置にセットします。
2. 入力端子 : キャノンコネクタ (2番ピン = ホット、1番、3番ピン = アース)
3. MODE スイッチ : STEREO
4. 出力端子 : 負荷抵抗 $RL=4 \Omega$ (無誘導抵抗、電力容量は 500 W 以上)
5. その他 : 特に指定のない場合は、両チャンネル駆動とします。

検査及び調整

1. ファン

電源投入時に、左右のファンともロースピードで回転することを確認します。(P1600 は左のみです。)
また、Ach 側の PA シートの CN102 を抜くと、左右のファンは共にハイスピードで回転し、TEMP インジケータ
ーが点灯することを確認します。検査後、CN102 は差し込んでおきます。

2. パワーON ミューティング時間

電源 SW 投入後、 $t=2.5 \pm 1$ 秒にて、ミューティングが解除され PROTECTION インジケータが点灯すること
を確認します。

3. アイドリング電流

入力端子を接地して C106 (A ch)、C105 (B ch) の 1-2 番端子間の直流電圧 V_b が 1.0 ± 0.2 mV となるように VR102
(A ch)、VR101 (B ch) を調整します。
P1600 の場合は、入力端子を接地して C106 (A ch)、C107 (B ch) の 1-2 番端子間の直流電圧 V_b が 1.0 ± 0.2 mV
となるように VR101 (A ch)、VR201 (B ch) を調整します。
また、全検査終了後、再度 V_b の検査をおこない、 $V_b=1.0 \pm 0.2$ mV となるように調整します。

4. 出力端子の直流電圧

入力端子を接地し、出力端子の直流電圧 V_{dc} を測定し、 $V_{dc}=0 \pm 75$ mV であることを確認します。

5. 利得

入力端子に 1 kHz、-10 dBu の正弦波を入力した時、+22.1 \pm 0.5 dBu の出力電圧を得ることを確認します。この
検査は、PARALLEL モードでも行います。

6. 周波数特性

入力端子に、20 Hz、1 kHz、20 kHz、-10 dBu の正弦波を入力した時、出力電圧が 1 kHz の出力電圧を基準に、20
Hz では、 0 ± 0.5 dB 以内、20 kHz では、 -0.5 ± 0.5 dB 以内であることを確認します。

7. 全高調波歪率特性

入力端子に、20 Hz、1 kHz、20 kHz の高品位正弦波を入力し、定格出力を得た時、全高調波歪率が、下記の範囲
であることを確認します。

パワー出力レベル (4 Ω)		全高調波歪率		
		20 Hz	1 kHz	20 kHz
P4500	600 W + 600 W (+36.0 dBu/ch)	$\leq 0.1 \%$	$\leq 0.05 \%$	$\leq 0.1 \%$
P3200	430 W + 430 W (+34.6 dBu/ch)			
P1600	200 W + 200 W (+31.2 dBu/ch)			

※この検査は、30 秒以内に終了して下さい。

8. チャンネルセパレーション

片方のチャンネルの入力端子に、20 kHz、-5 dBu の正弦波を入力して得られた、出力電圧を基準レベル (0 dB)
として、入力端子が 600 Ω の抵抗を介して接地された他方チャンネルの出力電圧を測定し、-65 dB 以下である
ことを確認します。(負荷抵抗 $RL=8 \Omega$ とします。)

9. 出力ノイズレベル

入力アッティネーターを "0" の位置に、入力端子を 600 Ω の抵抗を介して接地し、出力端子に発生するノイズレ
ベルを測定し、-65 dBu 以下であることを確認します。次に、入力アッティネーターを "∞" の位置にし、ノイズ
レベルは、-70 dBu 以下であることを確認します。

※検査中は、誘導ノイズの影響を受けないように注意して下さい。

10. 安定度

10 kHz、-10 dBu の矩形波を入力し、負荷抵抗 $RL=4 \Omega$ に並列に 10 pF \sim 0.47 μ F の容量を接続した時、以下
の項目を満足することを確認します。

オーバーシュート $V_p/V_o \leq 1.8$

リンギング 5 波以内

次に、負荷を純容量 10 pF \sim 0.47 μ F のみとした時、

オーバーシュート $V_p/V_o \leq 2.5$

リンギング 7 波以内にて収束し、発振などを生じないことを確認してください。

11. プロテクション回路

10 Hz、+7.0 dBu (P4500)、+5.6 dBu (P3200)、+2.2 dBu (P1600) の正弦波を入力して、出力波形をクリップさせた
時、プロテクション回路が作動してリレーがオープンしないことを確認します。次に、1 Hz、0 dBu の正弦波を
入力した時、プロテクション回路が 2 秒以内に作動して、出力を遮断し、また、入力信号を切った時、10 秒以
内に自動復帰することを確認します。

12. PC リミッター

入力端子に、1 kHz、+0.0 dBu (P4500)、-1.5 dBu (P3200)、-4.5 dBu (P1600) の正弦波を入力し、出力端子に負荷と
して 1 Ω ($\pm 5 \%$) を接続し、出力端子をオシロスコープにて観測した時、出力レベルが下記の範囲であることを
確認します。

品番	出力レベル
P4500	$V_{p-p} \leq 60V$
P3200	$V_{p-p} \leq 40V$
P1600	$V_{p-p} \leq 34V$

※この検査は、30 秒以内に終了して下さい。

13. シグナルインジケータ

1 kHz、-23 dBu の正弦波を入力し、シグナルインジケータが点灯することを確認します。

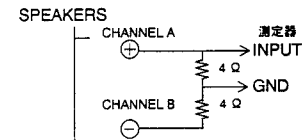
14. 効率

入力端子に 1 kHz、-5 dBu (P4500)、-6.5 dBu (P3200)、-9.5 dBu (P1600) の正弦波を入力して、一次電力を測定し、
以下の範囲内であることを確認します。

品番	一次電力
P4500	350 \pm 50 W
P3200	250 \pm 50 W
P1600	145 \pm 30 W

B BRIDGE モード**準備**

1. 入力アッティネーター : A chのみ作動します。“0”の位置にセットします。
2. 入力端子 : キャノンコネクタ (2番ピン = ホット、1番、3番ピン = アース)
3. MODEスイッチ : BRIDGE
4. 出力端子 : 負荷抵抗 $R_L = 4 + 4 \Omega$ (無誘導抵抗、電力容量は500 W以上)
5. 測定器の接続 : 下記のようにグラウンドをフローティングし、負荷抵抗の midpoint に接続します。

**検査及び調整****1. 利得**

入力端子に、1 kHz、-10 dBu の正弦波を入力した時、+22.1 ±1.0 dBu の出力電圧を得ることを確認します。

2. 周波数特性

入力端子に、20 Hz、1 kHz、20 kHz、-10 dBu の正弦波を入力した時、出力電圧が、1 kHz を基準に、20 Hz では、0.0 ±0.5 dB、20 kHz では、-0.5 ±0.5 dBu 以内であることを確認します。

3. 全高調波歪率特性

20 Hz、1 kHz、20 kHz の高品位正弦波を入力し、出力電圧 36 dBu (P4500)、34.6 dBu (P3200)、31.2 dBu (P1600) を得た時、全高調波歪率が下記の範囲内にあることを確認します。

パワー出力レベル (4 Ω)		全高調波歪率		
		20 Hz	1 kHz	20 kHz
P4500	+36.0 dBu	≤ 0.1 %	≤ 0.05 %	≤ 0.1 %
P3200	+34.6 dBu			
P1600	+31.2 dBu			

※この検査は、30 秒以内に終了して下さい。

4. 出力ノイズレベル

入力アッティネーターを MAX、入力端子を 600 Ω の抵抗を介して接地し、負荷抵抗 8 Ω の両端にてノイズレベルを測定し、-60 dBu 以下であることを確認します。次に、入力アッティネーターを“∞”の位置にした時、ノイズレベルが、-60 dBu 以下であることを確認します。

C 検査終了後の処置

入力アッティネーターは“∞”の位置にしておきます。
モード SW は、STEREO にセットしておきます。

D その他

0 dBu = 0.775 V

ノイズレベルの測定は、DIN オーディオフィルターを使用します。

■ CAUTION FOR SPEAKER CONNECTION

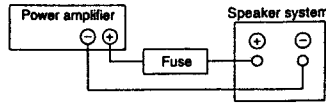
Connect the amplifier's A channel and B channel speaker terminals to the corresponding speakers. Make sure that the red terminals on the amplifier are connected to the "+" terminals on the speakers, and that the black terminals are connected to the "-" terminals on the speakers.

Take care that the end of each speaker cable does not short with another end of the speaker cable or with the chassis or protective cover, and the secure the wire in place by tightening down the terminal. Also, always make sure that the power is OFF before attaching or removing speaker wires.

- If long speaker cables are required, use cables with as heavy a gauge as possible to protect against degradation caused by the damping factor and to prevent power loss inside the speaker cables.

- Since the 'P' Series of power amplifiers can provide relatively high output powers, it is important that you use a speaker system with sufficient power handling capabilities.

If the allowable input power of the speaker system is lower than the rated output power of the amplifier, you can protect the speakers by connecting an in-line fuse between each speaker and the amplifier.



* You can use the following formula to determine the size of fuse needed for your system.

$$P_o = I^2 R \rightarrow I = \sqrt{\frac{P_o}{R}}$$

P_o: Continuous allowable input power of speaker (noise or RMS)

R: Nominal impedance of speaker

I: Necessary fuse capacity (A)

Example:

Speaker continuous allowable input power; 50 W

Speaker impedance ; 8 Ω

Using these values.

$$I = \sqrt{\frac{50}{8}} = 2.5$$

Necessary fuse capacity = 2.5 (A)

■ TROUBLESHOOTING

The following table lists the main causes of abnormal operation and the corrective measures required, as well as the protective circuit operation in each case.

Indicator	Probable Cause	Remedy	Protection Circuit
CLIP indicator lights.	There is a short at a speaker terminal, amplifier terminal, or wire.	Locate and correct the cause of the short.	The PC limiter circuit operates to protect the power transistors.
	The amplifier load is excessive.	Use a speaker system with an impedance of at least 4Ω (stereo) or 8Ω (bridge).	
TEMP indicator lights.	The heat sink temperature has exceed 85°C.	Check the ventilation slots, and improve the airflow around the amplifier.	Warning by the TEMP indicator.
PROTECTION indicator lights.	The heat sink temperature has exceeded 95°C.	Check the amplifier ventilation conditions and take appropriate measures to improve airflow around the amplifier.	The thermal protection circuit operates to protect the power transistors.
	A DC voltage of +/-2 V or greater was generated in the power amplifier's output circuit.		The relay operates to protect the speaker system.

■ スピーカー配線

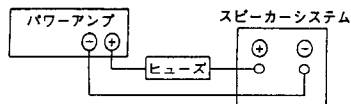
アンプのAチャンネルスピーカー端子とBチャンネルスピーカー端子をそれぞれスピーカーに接続します。必ず赤い端子をスピーカーの⊕端子に、黒い端子を⊖の端子に接続してください。

各スピーカーケーブルが他のスピーカーケーブルのシャーシ、保護カバーなどとショートしないよう注意し、端子をしっかりと締め付けてケーブルを動かないようにしてください。また、スピーカーケーブルの接続、取り外しは、必ず電源をOFFしてから行ってください。

スピーカーケーブルを長く引き廻す場合は、ダンピングファクターの劣化やケーブル内でのパワロスを防ぐため、できるだけ太い線材のケーブルをご使用ください。本機のスピーカーターミナルは、極太ケーブルの使用にも対応しております。

'P'シリーズのパワーアンプでは大出力が得られますので、十分な許容力を持つスピーカーシステムを使用してください。

ご使用になるスピーカーシステムの許容入力よりパワーアンプの定格出力値より小さな場合は、スピーカーとアンプ間に直列にヒューズを接続すると、スピーカーを保護することができます。(右図参照)



下の式を用いて、各スピーカーに応じたヒューズの容量の目安を求めることができます。

$$P_o = I^2 R \rightarrow I = \sqrt{\frac{P_o}{R}}$$

Po[W] : スピーカーの連続許容入力(ノイズまたはRMS)

R[Ω] : スピーカーの公称インピーダンス

I[A] : 必要なヒューズの容量

例) スピーカーの連続許容入力: 50[W]
 スピーカーのインピーダンス: 8[Ω]

$$I = \sqrt{\frac{50}{8}} = 2.5$$

上の計算から、必要なヒューズの容量は2.5[A]となります。

■ トラブルシューティング

主な異常動作の原因と処置および保護回路の動作

インジケータ表示	原因	処置	保護回路の動作
CLIPインジケータが点灯する	スピーカー端子、アンプの出力端子、ケーブル等でのショート	ショートしている箇所を調べ	PCリミッターが働き、パワートランジスタを保護
	アンプの負荷が過負荷になっている	スピーカーシステムインピーダンスをステレオ時4Ω、モノラル時8Ω以上に	
TEMPインジケータが点灯する	ヒートシンクの温度が85℃を超えている	通風スロットを点検してアンプ周りの通風状態を良くしてください	TEMPインジケータによる警告
PROTECTIONインジケータが点灯する	ヒートシンクの温度が95℃を超えている	通風状態を調べ、放熱対策をする	サーマルプロテクションが働きパワートランジスタを保護
	パワーアンプの出力段にDC±2V以上の電位が発生		リレーが働き、スピーカーシステムを保護

POWER AMPLIFIER

P1600/P3200/P4500

PARTS LIST

■ CONTENTS(目次)

OVERALL ASSEMBLY(総組立)	1
PA UNIT(PAユニット)	4
ELECTRICAL PARTS(電気部品)	6~31
P1600	6
P3200	15
P4500	23

Notes DESTINATION ABBREVIATIONS

J : Japanese model	A : Australian model
U : U.S.A. model	E : European model
C : Canadian model	D : German model
X : General model	B : British model
M : South African model	I : Indonesian model
H : North European model	

■ WARNING

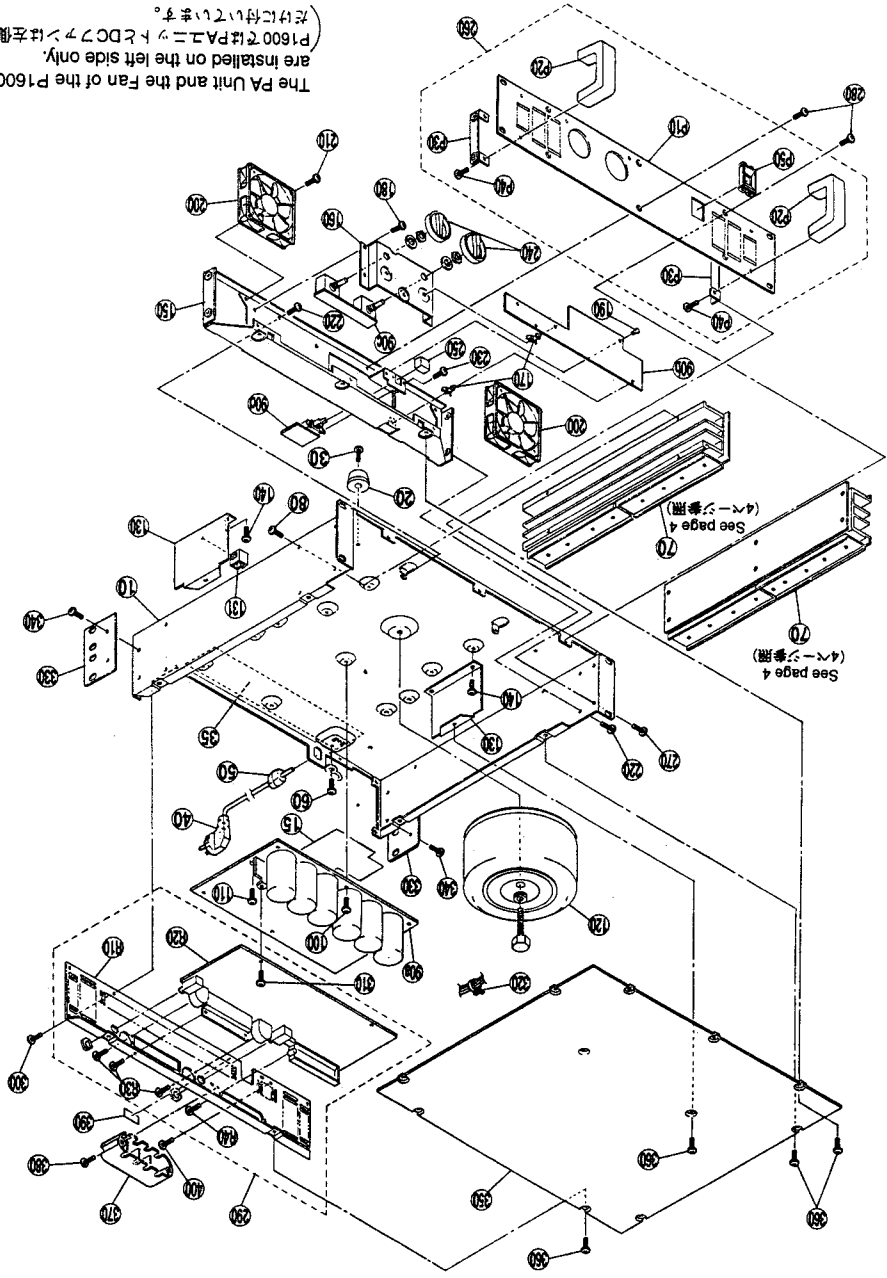
Components having special characteristics are marked Δ and must be replaced with parts having specification equal to those originally installed.

Δ 印の部品は、安全を維持するために重要な部品です。交換をする場合は、安全のため必ず指定の部品をご使用下さい。

- The numbers with "pc." or "pcs" in "Remarks" show quantities for each unit.
- The parts with "—" in "Part No." are not available as spare parts.

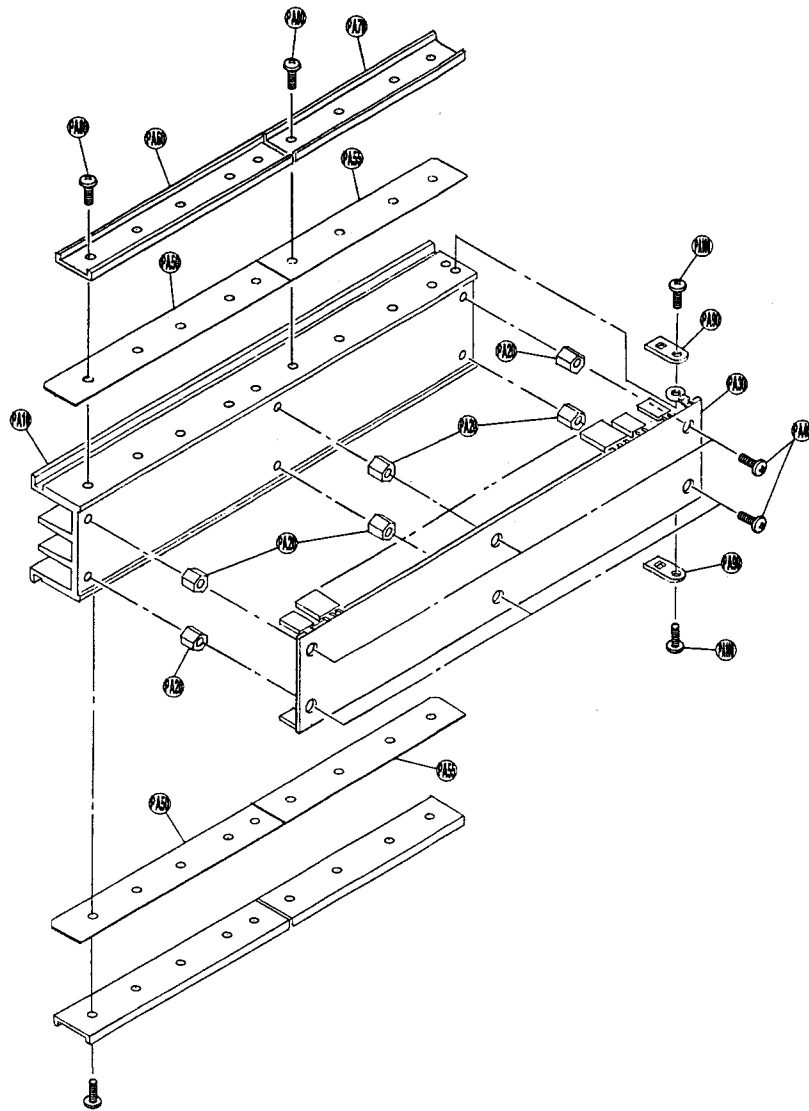
- ・ 部品価格ランクは、変更になることがあります。
- ・ Remarks欄に記されている数字は、使用個数です。
- ・ 部品No.が"—"の部品は、サービス用部品として準備されておりません。

■ OVERALL ASSEMBLY (総組立)



The PA Unit and the Fan of the P1600 are installed on the left side only. P1600ではPAユニットとDC7ファンは左側だけに付いています。

■ PA UNIT (PAユニット)



● P1600

REF. NO.	PART NO.	DESCRIPTION	部 品 名	REMARKS	QTY	ラック
PA10	VY933200	PA Unit	P A ユ ニ ッ ト	P1600	6	01
PA20	VY937900	Heat Sink	ヒートシンク (L)			
PA30	VV086500	Support	支 柱			
PA40	VZ013500	Circuit Board	P A シ ー ト			
PA50	EG330290	Bind Head Screw	+ バインド小ネジ			
PA55	VY898500	Isolation Sheet A	放 熱 シ ー ト A			
PA60	VZ056200	Isolation Sheet B	放 熱 シ ー ト B	2		
PA70	VY936700	Holder A	T r 押 え 金 具 A	2		
PA80	VY936900	Holder C	T r 押 え 金 具 C	2		
PA90	VQ074600	Bind Head Tapping Screw-B	+ バインド B タイ	18	01	
PA100	VY936500	Holder	ポ ジ ス タ ホ ル ダ ー	2		
PA100	VQ074600	Bind Head Tapping Screw-B	+ バインド B タイ	2	01	

* New Parts (新規部品)

ラック : Japan only

● P3200

REF. NO.	PART NO.	DESCRIPTION	部 品 名	REMARKS	QTY	ラック
PA10	VY933300	PA Unit	P A ユ ニ ッ ト	P3200	6	01
PA20	VY937900	Heat Sink	ヒートシンク (L)			
PA30	VV086500	Support	支 柱			
PA40	VZ013400	Circuit Board	P A シ ー ト			
PA50	EG330290	Bind Head Screw	+ バインド小ネジ			
PA55	VY898500	Isolation Sheet A	放 熱 シ ー ト A			
PA60	VZ056200	Isolation Sheet B	放 熱 シ ー ト B	2		
PA70	VY936700	Holder A	T r 押 え 金 具 A	2		
PA80	VY936800	Holder B	T r 押 え 金 具 B	2		
PA90	VQ074600	Bind Head Tapping Screw-B	+ バインド B タイ	18	01	
PA100	VY936500	Holder	ポ ジ ス タ ホ ル ダ ー	2		
PA100	VQ074600	Bind Head Tapping Screw-B	+ バインド B タイ	2	01	

* New Parts (新規部品)

ラック : Japan only

● P4500

REF. NO.	PART NO.	DESCRIPTION	部 品 名	REMARKS	QTY	ラック
PA10	VZ026600	PA Unit	P A ユ ニ ッ ト	P4500	6	01
PA20	VY937900	Heat Sink	ヒートシンク (L)			
PA30	VV086500	Support	支 柱			
PA40	VZ013300	Circuit Board	P A シ ー ト			
PA50	EG330290	Bind Head Screw	+ バインド小ネジ			
PA55	VY898500	Isolation Sheet A	放 熱 シ ー ト A			
PA60	VZ056200	Isolation Sheet B	放 熱 シ ー ト B	2		
PA70	VY936700	Holder A	T r 押 え 金 具 A	2		
PA80	VY936800	Holder B	T r 押 え 金 具 B	2		
PA90	VQ074600	Bind Head Tapping Screw-B	+ バインド B タイ	18	01	
PA100	VY936500	Holder	ポ ジ ス タ ホ ル ダ ー	2		
PA100	VQ074600	Bind Head Tapping Screw-B	+ バインド B タイ	2	01	

* New Parts (新規部品)

ラック : Japan only

■ P1600 ELECTRICAL PARTS (電気部品)

REF. NO.	PART NO.	DESCRIPTION	部 品 名	REMARKS	QTY	ラック
		ELECTRICAL PARTS	電 気 部 品	P1600		
	NX818870	Circuit Board	DC シート (1/4)	J,U,V (XT214C0)		
	NX818880	Circuit Board	DC シート (1/4)	H,W,B,A (XT214C0)		
	NX818840	Circuit Board	DC シート (2/4)	(XT214C0)		
	NX818850	Circuit Board	DC シート (3/4)	(XT214C0)		
	NX818860	Circuit Board	DC シート (4/4)	(XT214C0)		
	VZ013700	Circuit Board	IN	P A シート (XT284B0)		
	VZ013500	Circuit Board	PA	(XT283A0)		
	NX818870	Circuit Board	DC シート (1/4)	J,U,V (XT214C0)		
	NX818880	Circuit Board	DC シート (1/4)	H,W,B,A (XT214C0)		
	NX818840	Circuit Board	DC シート (2/4)	(XT214C0)		
	NX818850	Circuit Board	DC シート (3/4)	(XT214C0)		
	NX818860	Circuit Board	DC シート (4/4)	(XT214C0)		
C101	VZ004400	Mylar Capacitor	0.1000 400V M	フィルムコン		
C102	VZ004400	Mylar Capacitor	0.1000 400V M	フィルムコン		
C105	VY897000	Electrolytic Cap.	6800 100V	ケミコン		01
C106	VY897000	Electrolytic Cap.	6800 100V	ケミコン		02
C109	UJ866470	Electrolytic Cap.	4.70 50.0V	ケミコン		01
C110	UJ659100	Electrolytic Cap.	1000 35.0V	ケミコン		02
C111	UJ659100	Electrolytic Cap.	1000 35.0V	ケミコン		01
C112	FG652100	Ceramic Capacitor-SL	100P 50V J	セラコン (SL)		01
C113	UJ828470	Electrolytic Cap.	470.00 10.0V	ケミコン		01
C114	UJ847470	Electrolytic Cap.	47.00 25.0V	ケミコン		01
C115	UJ866470	Electrolytic Cap.	4.70 50.0V	ケミコン		01
△ C116	VV314800	Capacitor	1000P 400V J.U.C.S	規格認定コン		01
C118	UJ866470	Electrolytic Cap.	4.70 50.0V	ケミコン		01
C119	UJ866470	Electrolytic Cap.	4.70 50.0V	ケミコン		01
C120	UJ866100	Electrolytic Cap.	1.00 50.0V	ケミコン		01
C121	FG613100	Ceramic Capacitor-B	1000P 50V K	セラコン B		01
C122	UJ866100	Electrolytic Cap.	1.00 50.0V	ケミコン		01
C123	UJ866100	Electrolytic Cap.	1.00 50.0V	ケミコン		01
C124	FG613100	Ceramic Capacitor-B	1000P 50V K	セラコン B		01
C125	UJ866100	Electrolytic Cap.	1.00 50.0V	ケミコン		01
D101	VR149900	Diode Stack	D25XB60 25.0A 600V	ダイオードスタック		06
D102	VU801600	Diode	1N4004L 26	ダイオード		01
D103	VU801600	Diode	1N4004L 26	ダイオード		01
D104	VU801600	Diode	1N4004L 26	ダイオード		01
D105	VU801600	Diode	1N4004L 26	ダイオード		01
D106	VU801600	Diode	1N4004L 26	ダイオード		01
D108	VD631600	Diode	1SS133,176,HSS104	ダイオード		01
D109	VD631600	Diode	1SS133,176,HSS104	ダイオード		01
D110	VG437700	Zener Diode	MTZ J 5.6B 5.6V	ツェナーダイオード		01
D111	VG437700	Zener Diode	MTZ J 5.6B 5.6V	ツェナーダイオード		01
D112	VG437700	Zener Diode	MTZ J 5.6B 5.6V	ツェナーダイオード		01
D113	VV621000	LED	LT321-41-C13 GR	L E D SIGNAL A		01
D114	VV620800	LED	LT311G-41-C13 RE	L E D CLIP A		01
D115	VV621000	LED	LT321-41-C13 GR	L E D SIGNAL B		01
D116	VV620800	LED	LT311G-41-C13 RE	L E D CLIP B		01
D117	VV620800	LED	LT311G-41-C13 RE	L E D TEMP		01
D118	VV620800	LED	LT311G-41-C13 RE	L E D PROTECTION		01
D119	VV620800	LED	LT311G-41-C13 RE	L E D POWER		01
F101	KB001380	Fuse	15.00A U	ヒューズ J,U,V		04
F101	KB003360	Fuse	6.30A S	ヒューズ H,W,B,A		02
F103	VV070300	Fuse	TDS 1A 250V J/U/C	ヒューズ J,U,V		01
F103	VV071200	Fuse	TSD 1A 250V SEMKO	ヒューズ H,W,B,A		01
F104	VV070300	Fuse	TDS 1A 250V J/U/C	ヒューズ J,U,V		01
F104	VV071200	Fuse	TSD 1A 250V SEMKO	ヒューズ H,W,B,A		01
H101	VY937700	Heat Sink		ヒートシンク (S)		01
P101	VZ336500	Plastic Rivet	PR-08T GIN LIAN	ブラリベット		01
Q101	1A111520	Transistor	2SA1115 E,F	トランジスタ		01
Q102	1C260320	Transistor	2SC2603 E,F	トランジスタ		01
Q103	1C260320	Transistor	2SC2603 E,F	トランジスタ		01
Q104	1C260320	Transistor	2SC2603 E,F	トランジスタ		01
Q105	1A111520	Transistor	2SA1115 E,F	トランジスタ		01
Q106	1C260320	Transistor	2SC2603 E,F	トランジスタ		01
Q107	VD678500	Digital Transistor	DTA114ES	デジタルトランジスタ		03
Q108	1C260320	Transistor	2SC2603 E,F	トランジスタ		01
Q109	VD678500	Digital Transistor	DTA114ES	デジタルトランジスタ		03
Q110	1C260320	Transistor	2SC2603 E,F	トランジスタ		01

* New Parts (新規部品)

ラック : Japan only

REF. NO.	PART NO.	DESCRIPTION	部 品 名	REMARKS	QTY	ラ
R175	HF454470	Carbon Resistor	47.0 1/4 J	カ - ボン 抵 抗		01
R176	HF455390	Carbon Resistor	390.0 1/4 J	カ - ボン 抵 抗		01
R177	HF455390	Carbon Resistor	390.0 1/4 J	カ - ボン 抵 抗		01
R178	HF455270	Carbon Resistor	270.0 1/4 J	カ - ボン 抵 抗		01
R201	HF456220	Carbon Resistor	2.2K 1/4 J	カ - ボン 抵 抗		01
R202	HF455330	Carbon Resistor	330.0 1/4 J	カ - ボン 抵 抗		01
R203	HF455220	Carbon Resistor	220.0 1/4 J	カ - ボン 抵 抗		01
R204	HF455220	Carbon Resistor	220.0 1/4 J	カ - ボン 抵 抗		01
R205	HF457470	Carbon Resistor	47.0K 1/4 J	カ - ボン 抵 抗		01
R206	HF457470	Carbon Resistor	47.0K 1/4 J	カ - ボン 抵 抗		01
R207	HF457470	Carbon Resistor	47.0K 1/4 J	カ - ボン 抵 抗		01
R208	HF457470	Carbon Resistor	47.0K 1/4 J	カ - ボン 抵 抗		01
R209	HF457100	Carbon Resistor	10.0K 1/4 J	カ - ボン 抵 抗		01
R210	HF457100	Carbon Resistor	10.0K 1/4 J	カ - ボン 抵 抗		01
R211	VV313900	Flame Proof C. Resistor	680.0 1/4 J	不 燃 化 カ - ボン 抵 抗		01
R212	VV313900	Flame Proof C. Resistor	680.0 1/4 J	不 燃 化 カ - ボン 抵 抗		01
R213	VZ009300	Flame Proof C. Resistor	330.0 1/4 J	不 燃 化 カ - ボン 抵 抗		01
R214	VZ009300	Flame Proof C. Resistor	330.0 1/4 J	不 燃 化 カ - ボン 抵 抗		01
R217	VV313800	Flame Proof C. Resistor	220.0 1/4 J	不 燃 化 カ - ボン 抵 抗		01
R218	VV313800	Flame Proof C. Resistor	220.0 1/4 J	不 燃 化 カ - ボン 抵 抗		01
R223	VZ008500	Flame Proof C. Resistor	120.0 1/4 J	不 燃 化 カ - ボン 抵 抗		01
R224	VZ008500	Flame Proof C. Resistor	120.0 1/4 J	不 燃 化 カ - ボン 抵 抗		01
R227	VZ009100	Flame Proof C. Resistor	33.0 1/4 J	不 燃 化 カ - ボン 抵 抗		01
R228	VZ009100	Flame Proof C. Resistor	33.0 1/4 J	不 燃 化 カ - ボン 抵 抗		01
R229	VZ009100	Flame Proof C. Resistor	33.0 1/4 J	不 燃 化 カ - ボン 抵 抗		01
R230	VZ009100	Flame Proof C. Resistor	33.0 1/4 J	不 燃 化 カ - ボン 抵 抗		01
R231	VZ370100	Wire Wound Resistor	0.47 5W K	セ メ ン ト 抵 抗		01
R232	VZ370100	Wire Wound Resistor	0.47 5W K	セ メ ン ト 抵 抗		01
R233	VZ370100	Wire Wound Resistor	0.47 5W K	セ メ ン ト 抵 抗		01
R234	VZ370100	Wire Wound Resistor	0.47 5W K	セ メ ン ト 抵 抗		01
R235	VZ008800	Flame Proof C. Resistor	22.0 1/4 J	不 燃 化 カ - ボン 抵 抗		01
R236	VZ008800	Flame Proof C. Resistor	22.0 1/4 J	不 燃 化 カ - ボン 抵 抗		01
R237	VZ008800	Flame Proof C. Resistor	22.0 1/4 J	不 燃 化 カ - ボン 抵 抗		01
R238	VZ008800	Flame Proof C. Resistor	22.0 1/4 J	不 燃 化 カ - ボン 抵 抗		01
R276	HF455390	Carbon Resistor	390.0 1/4 J	カ - ボン 抵 抗		01
R277	HF455390	Carbon Resistor	390.0 1/4 J	カ - ボン 抵 抗		01
R278	HF455270	Carbon Resistor	270.0 1/4 J	カ - ボン 抵 抗		01
W101	---	Connector Assembly	2426&2426 5P 100L	東 東 東 # 8	(VZ01610)	
W104	---	Connector Assembly	SP 135A	東 東 東 # 2	(VZ01500)	
W105	---	Connector Assembly	SP 1B	東 東 東 # 2	(VZ01520)	
CN101	VV066500	Connector Base Post	M2426XX 5P TE	コ ネ ク タ ベ ー ス ポ ス ト		01
CN102	VV066300	Connector Base Post	M2426XX 3P TE	コ ネ ク タ ベ ー ス ポ ス ト		01
CN103	LB932030	Base Post Connector	VH- 3P TE	ベ ー ス ポ ス ト		01
CN104	LB932020	Base Post Connector	VH- 2P TE	ベ ー ス ポ ス ト		01
CN105	LB932020	Base Post Connector	VH- 2P TE	ベ ー ス ポ ス ト		01
CN106	VV067600	Connector Base Post	M2426XXR 2P SE	コ ネ ク タ ベ ー ス ポ ス ト		04
CN107	VV067600	Connector Base Post	M2426XXR 2P SE	コ ネ ク タ ベ ー ス ポ ス ト		04
PR101	VL965100	Positive Thermistor	PTH9M04BE222TS2	ポ ジ ス タ		04
PR102	VL964800	Positive Thermistor	PTH9M04BH222TS2	ポ ジ ス タ		04
Q110N	VQ547400	Transistor	A1837/C4793 (HFE)	ベ ア ト ラ ン ジ ス タ		04
Q111P	VQ547400	Transistor	A1837/C4793 (HFE)	ベ ア ト ラ ン ジ ス タ		04
Q112N	VQ547400	Transistor	A1837/C4793 (HFE)	ベ ア ト ラ ン ジ ス タ		04
Q113P	VQ547400	Transistor	A1837/C4793 (HFE)	ベ ア ト ラ ン ジ ス タ		04
Q114N	VZ222300	Pair Transistor	A1492C3856(Z)(210)	ベ ア ト ラ ン ジ ス タ		04
Q115N	VZ222300	Pair Transistor	A1492C3856(Z)(210)	ベ ア ト ラ ン ジ ス タ		04
Q116P	VZ222300	Pair Transistor	A1492C3856(Z)(210)	ベ ア ト ラ ン ジ ス タ		04
Q117P	VZ222300	Pair Transistor	A1492C3856(Z)(210)	ベ ア ト ラ ン ジ ス タ		04
Q118N	VZ222300	Pair Transistor	A1492C3856(Z)(210)	ベ ア ト ラ ン ジ ス タ		04
Q119N	VZ222300	Pair Transistor	A1492C3856(Z)(210)	ベ ア ト ラ ン ジ ス タ		04
Q120N	VZ222300	Pair Transistor	A1492C3856(Z)(210)	ベ ア ト ラ ン ジ ス タ		04
Q121P	VZ222300	Pair Transistor	A1492C3856(Z)(210)	ベ ア ト ラ ン ジ ス タ		04
Q122P	VZ222300	Pair Transistor	A1492C3856(Z)(210)	ベ ア ト ラ ン ジ ス タ		04
Q123P	VZ222300	Pair Transistor	A1492C3856(Z)(210)	ベ ア ト ラ ン ジ ス タ		04
Q126P	V7732800	Transistor	A1859A/C4883A	ベ ア ト ラ ン ジ ス タ		04
Q127N	V7732800	Transistor	A1859A/C4883A	ベ ア ト ラ ン ジ ス タ		04
Q128N	VZ222300	Pair Transistor	A1492C3856(Z)(210)	ベ ア ト ラ ン ジ ス タ		04
Q129N	VZ222300	Pair Transistor	A1492C3856(Z)(210)	ベ ア ト ラ ン ジ ス タ		04
Q130N	VZ222300	Pair Transistor	A1492C3856(Z)(210)	ベ ア ト ラ ン ジ ス タ		04
Q131P	VZ222300	Pair Transistor	A1492C3856(Z)(210)	ベ ア ト ラ ン ジ ス タ		04
Q132P	VZ222300	Pair Transistor	A1492C3856(Z)(210)	ベ ア ト ラ ン ジ ス タ		04

* New Parts (新規部品)

ランク : Japan only

REF. NO.	PART NO.	DESCRIPTION	部 品 名	REMARKS	QTY	ラ
Q133P	VZ222300	Pair Transistor	A1492C3856(Z)(210)	ベ ア ト ラ ン ジ ス タ		04
Q211N	VQ547400	Transistor	A1837/C4793 (HFE)	ベ ア ト ラ ン ジ ス タ		04
Q212P	VQ547400	Transistor	A1837/C4793 (HFE)	ベ ア ト ラ ン ジ ス タ		04
Q214N	VZ222300	Pair Transistor	A1492C3856(Z)(210)	ベ ア ト ラ ン ジ ス タ		04
Q215N	VZ222300	Pair Transistor	A1492C3856(Z)(210)	ベ ア ト ラ ン ジ ス タ		04
Q216P	VZ222300	Pair Transistor	A1492C3856(Z)(210)	ベ ア ト ラ ン ジ ス タ		04
Q217P	VZ222300	Pair Transistor	A1492C3856(Z)(210)	ベ ア ト ラ ン ジ ス タ		04
VR101	VZ352000	Trimmer Potentiometer	B 680 3P	半 固 定 V R		01
VR201	VZ352000	Trimmer Potentiometer	B 680 3P	半 固 定 V R		01
20	---	Jumper Wire	0.60	ジ ャ ン パ ー 線	(VV29140)	57
△	YV897500	AC Cord	JVCTF 2X1.25 12A	電 源 コ ー ド J		
△	VZ021200	AC Cord	UC SJT 3X#18 10A	電 源 コ ー ド U,V		
△	VZ021400	AC Cord	E H05VV-F3X0.75 6A	電 源 コ ー ド H,W,A		
△	VZ021600	AC Cord	BS H05VV-F 13A	電 源 コ ー ド B		
△	AT102A00	Power Transformer	E	電 源 ト ラ ン ス J		
△	AT367A00	Power Transformer	UL E	電 源 ト ラ ン ス U,V		
△	AT368A00	Power Transformer	CE E	電 源 ト ラ ン ス H,W,B		
△	AT369A00	Power Transformer	AT E	電 源 ト ラ ン ス A		
△	YV898600	Fan	3110KL-05W-B50-L29	D C フ ァ ン		

* New Parts (新規部品)

ランク : Japan only

P4500 ELECTRICAL PARTS (電気部品)

Table with columns: REF. NO., PART NO., DESCRIPTION, 部 品 名 (Parts Name), REMARKS, QTY, and 仕様 (Spec). It lists various electrical components like circuit boards, capacitors, diodes, and resistors with their respective specifications and remarks.

* New Parts (新規部品)

ランク : Japan only

Table with columns: REF. NO., PART NO., DESCRIPTION, 部 品 名 (Parts Name), REMARKS, QTY, and 仕様 (Spec). This table continues the list of electrical parts, including rivets, transistors, digital transistors, and various resistors, with detailed remarks and quantities.

* New Parts (新規部品)

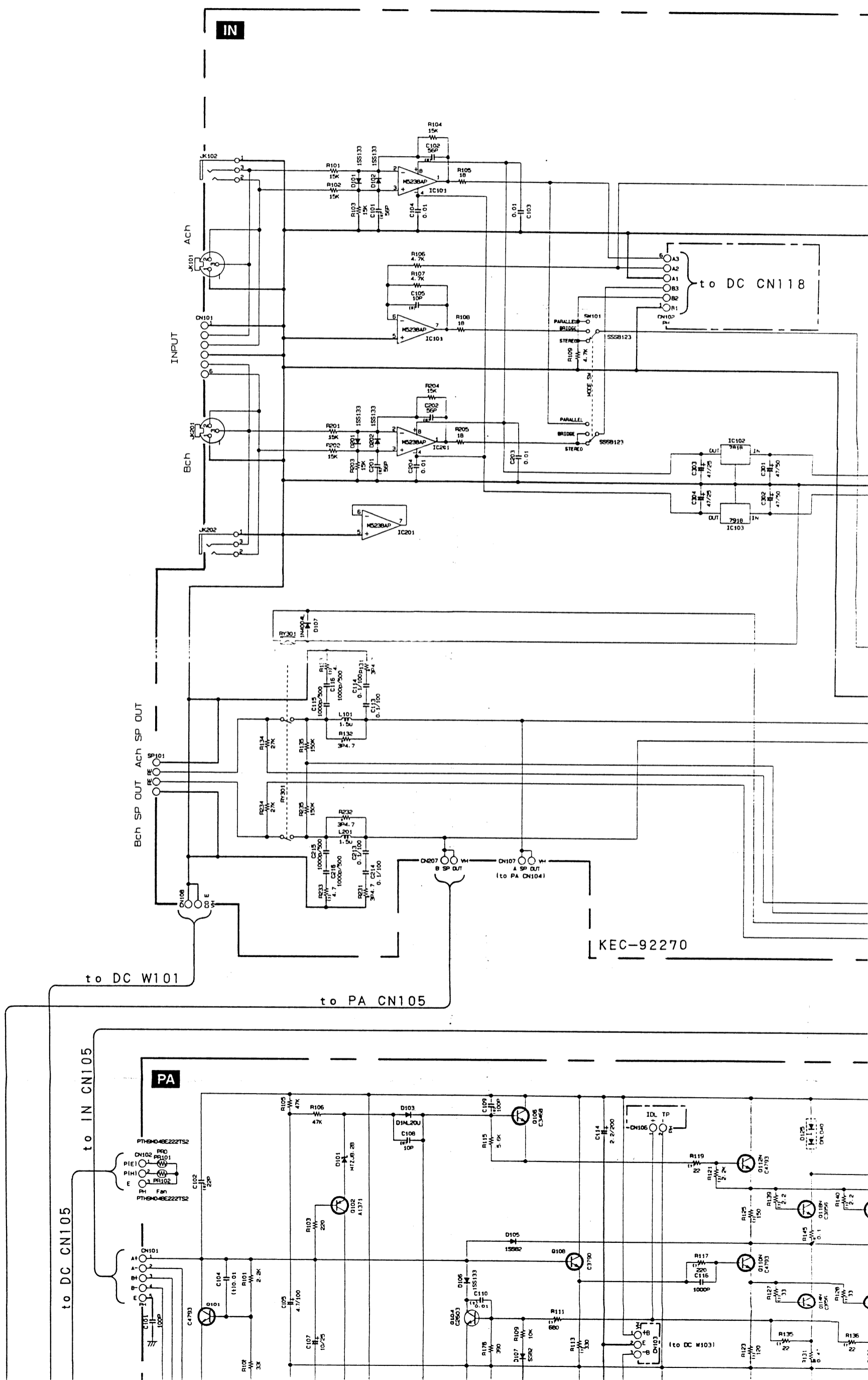
ランク : Japan only

REF NO.	PART NO.	DESCRIPTION	部 品 名	REMARKS	QTY	ランク
△	VT897500	AC Cord	J VCTF 2X1.25 12A	電 源 コ ー ド J		
△	VZ021200	AC Cord	UC SJT 3X#18 10A	電 源 コ ー ド U,V		
△	VZ021400	AC Cord	E H05VV-F3X0.75 6A	電 源 コ ー ド H,W,A		
△	VZ021600	AC Cord	BS H05VV-F 13A	電 源 コ ー ド B		
△	XT104A00	Power Transformer	UL E	電 源 ト ラ ン ス J		
△	XT373A00	Power Transformer	CE E	電 源 ト ラ ン ス U,V		
△	XT374A00	Power Transformer	AT E	電 源 ト ラ ン ス H,W,B		
△	XT375A00	Power Transformer	AT E	電 源 ト ラ ン ス A		
	V788600	Fan	3110KL-05W-B50-L29	D C フ ァ ン		

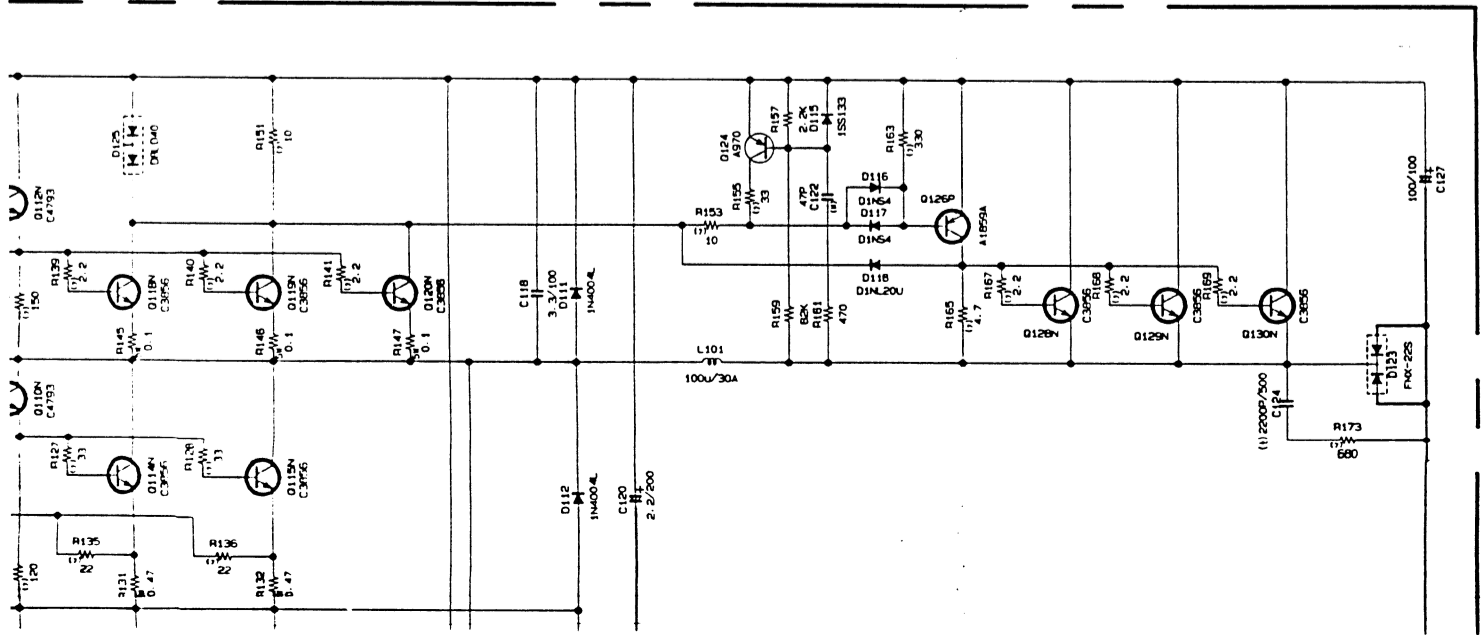
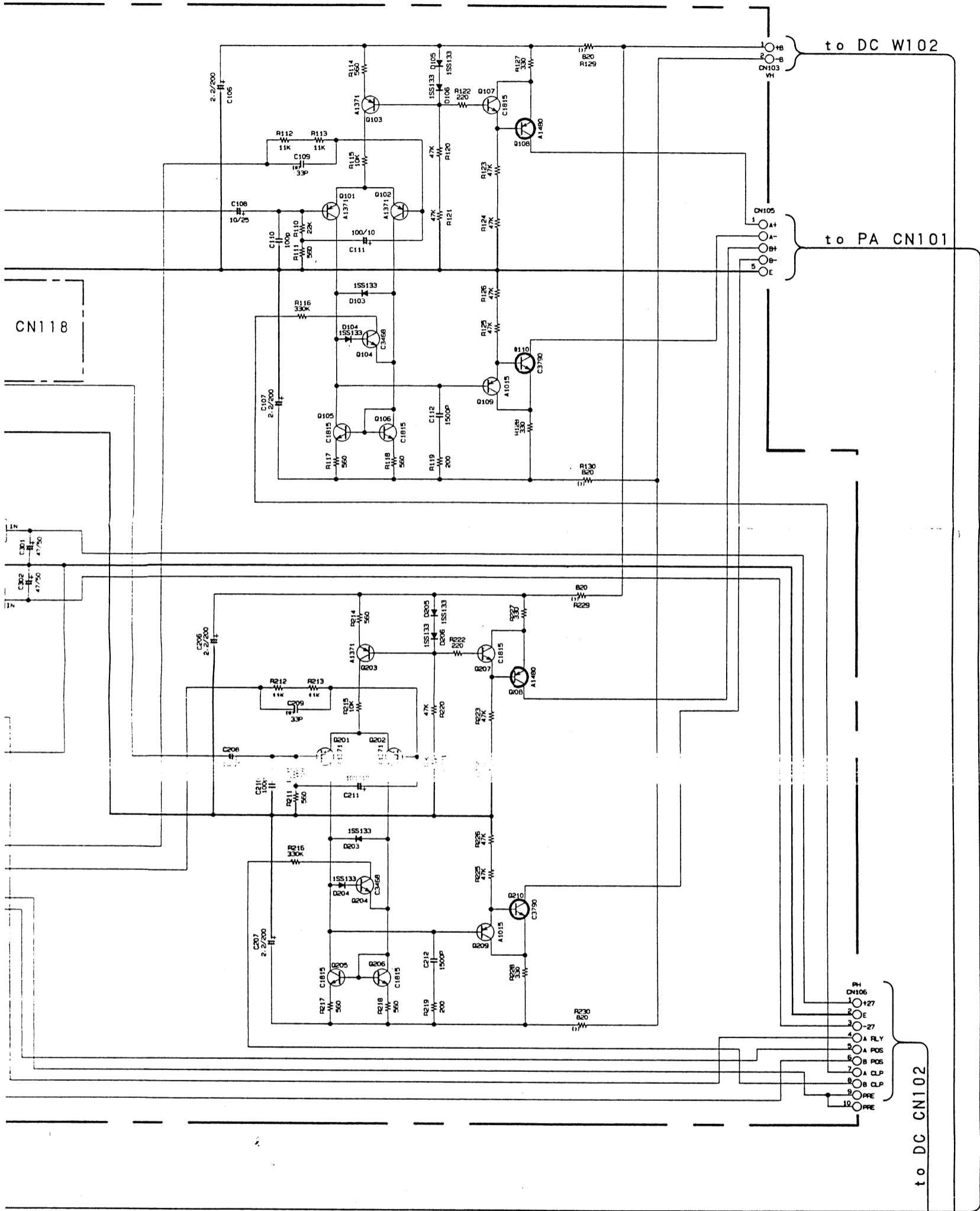
* New Parts (新規部品)

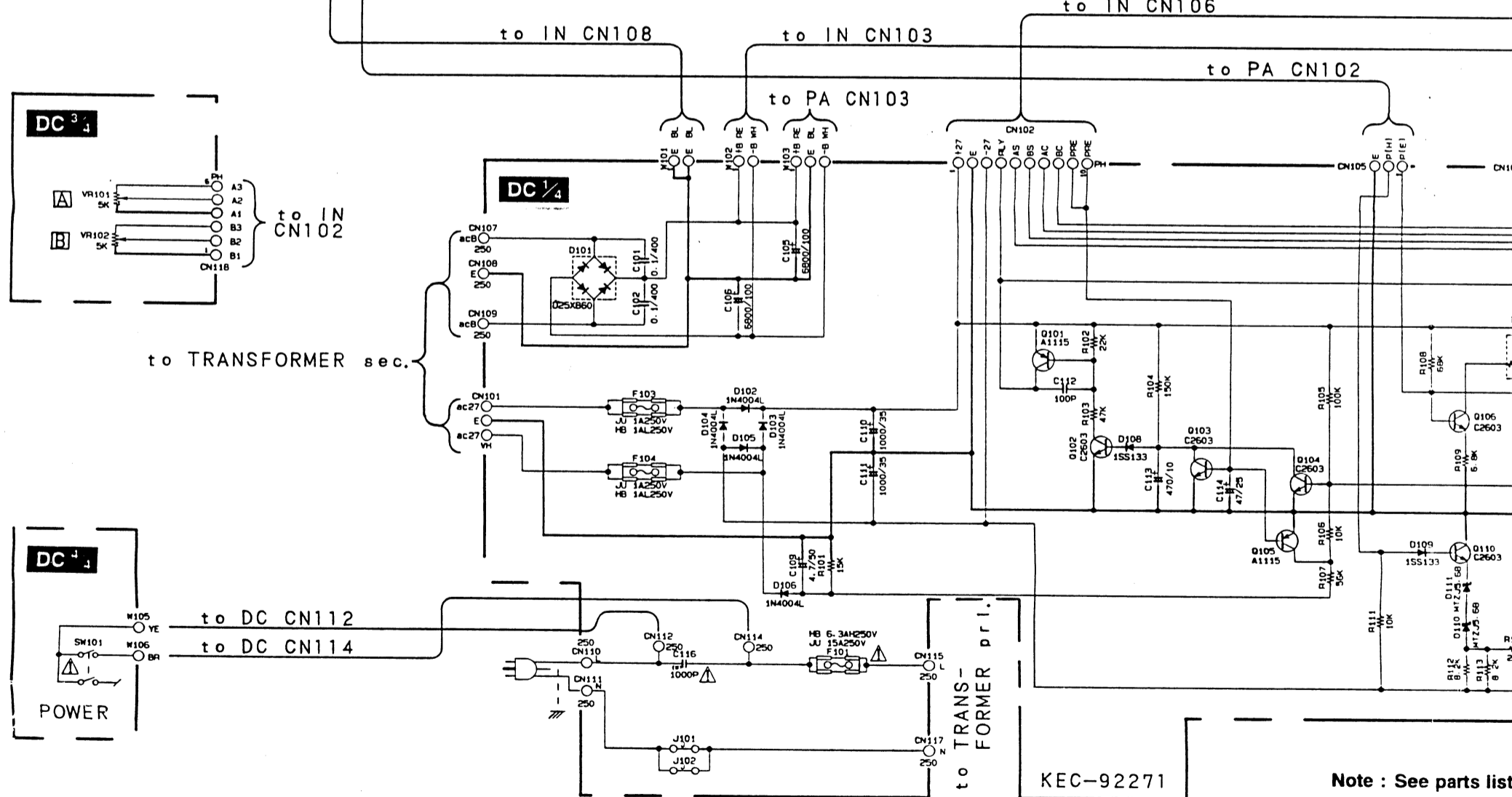
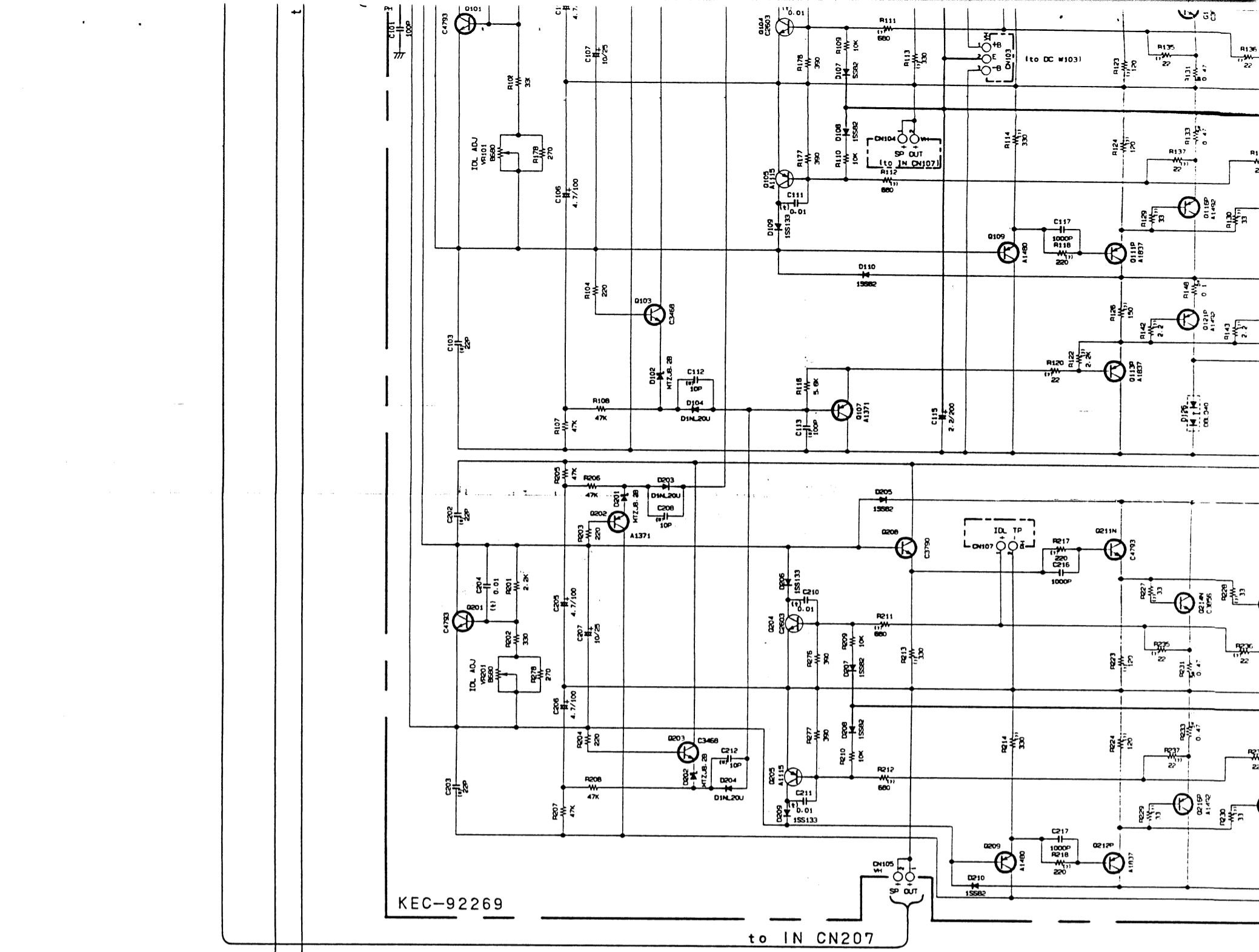
ランク : Japan only

■ P1600 OVERALL DIAGRAM (IN, PA, DC)



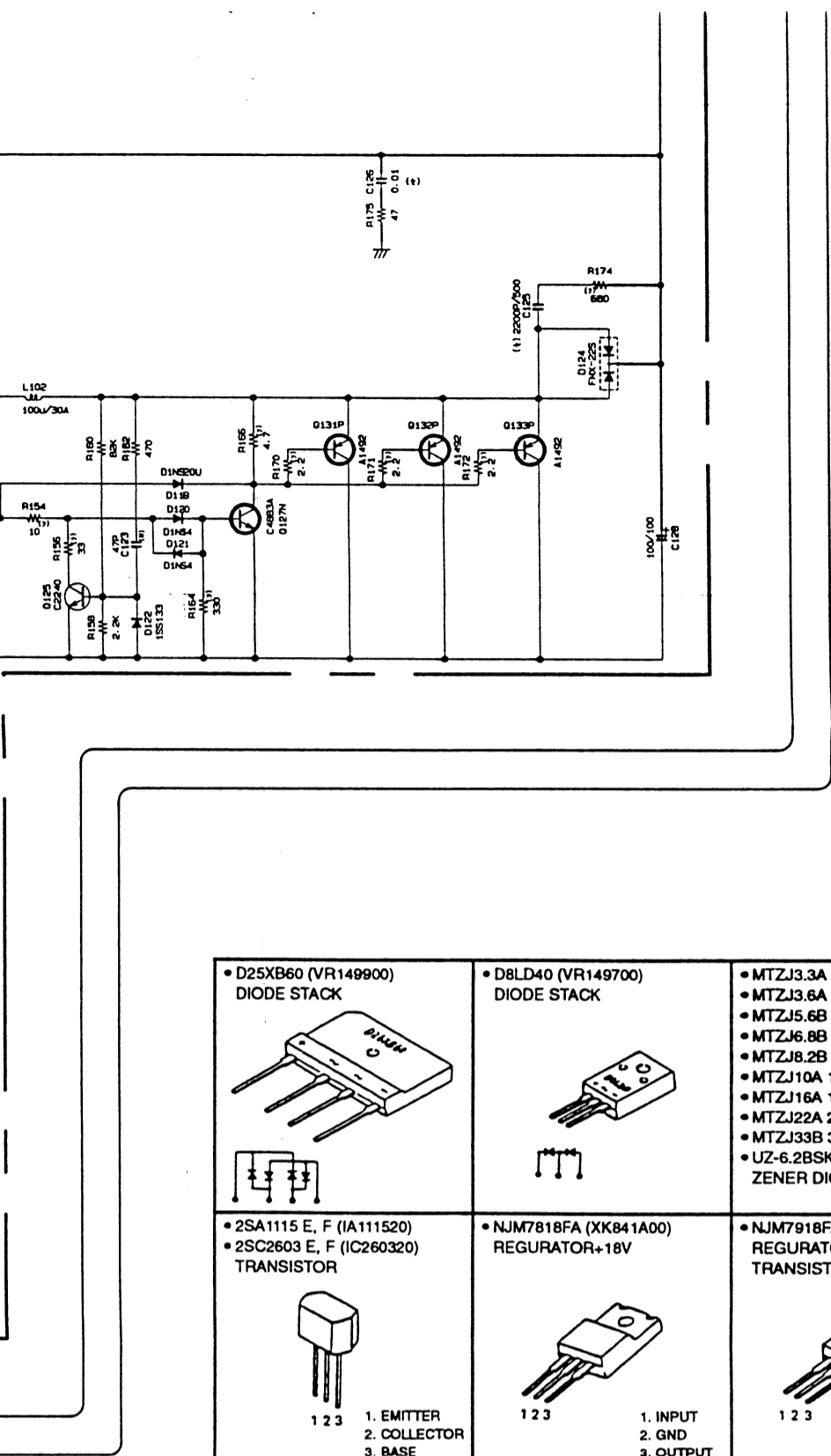
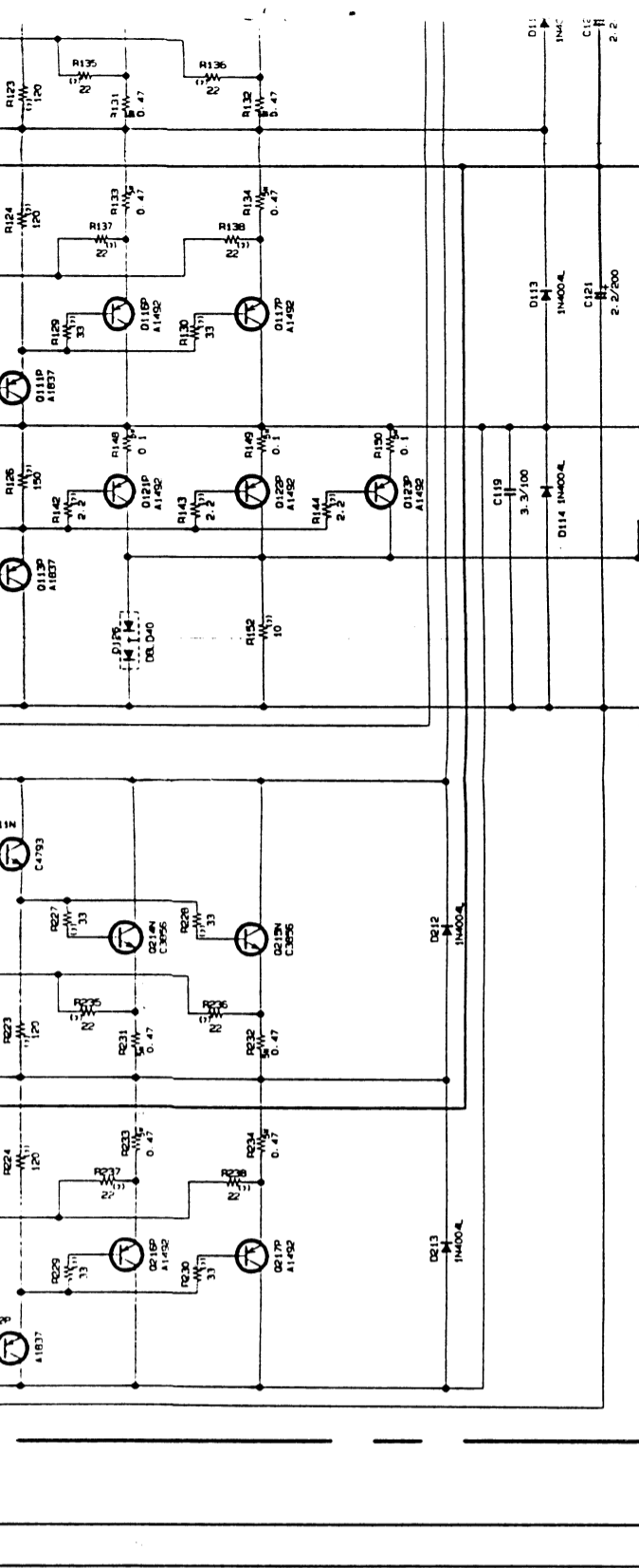
KEC-92270

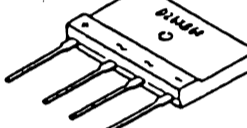



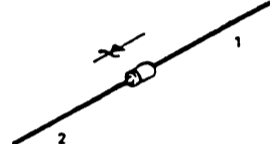
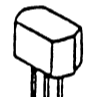
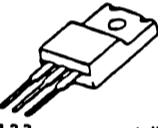
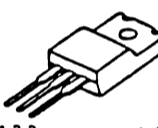


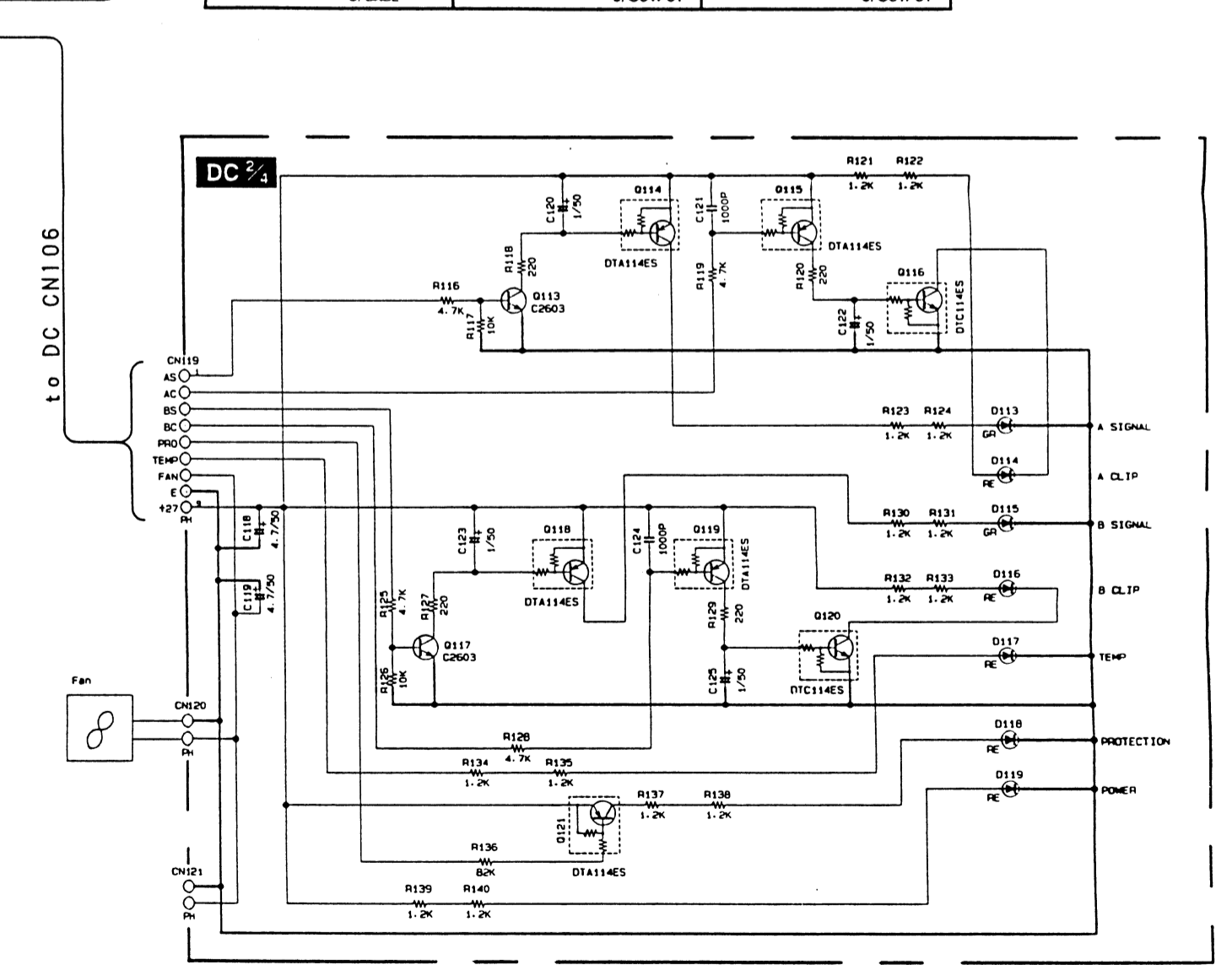
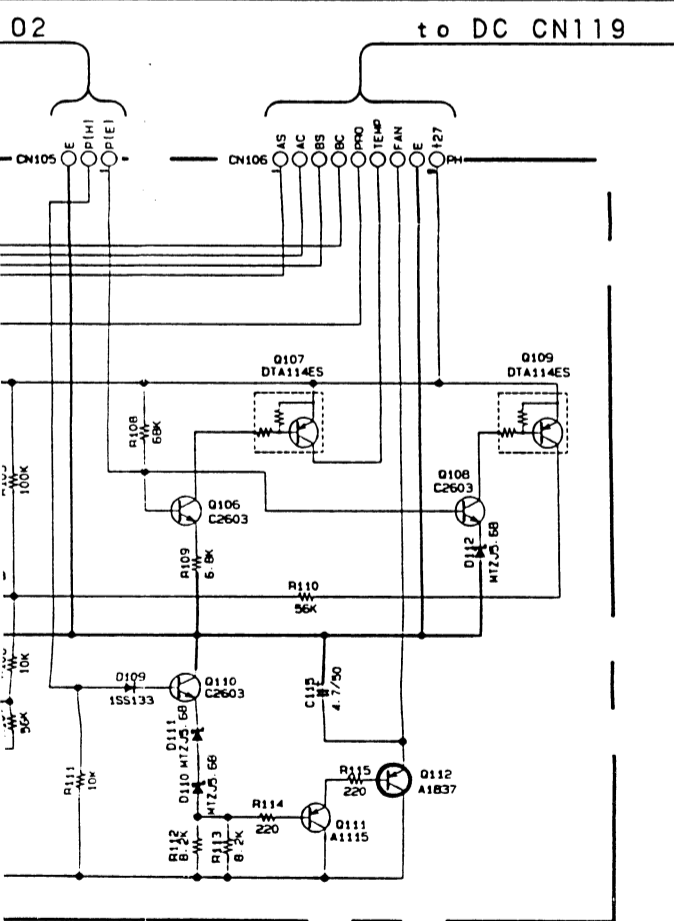


Note : See parts list
component part
注 : シートの部品詳

WARNING
Components having special characteristics are marked Δ and must be replaced with parts having specification equal to those originally installed.
 Δ 印の部品は、安全を維持するために重要な部品です。交換をする場合は、安全の為必ず指定の部品をご使用ください。

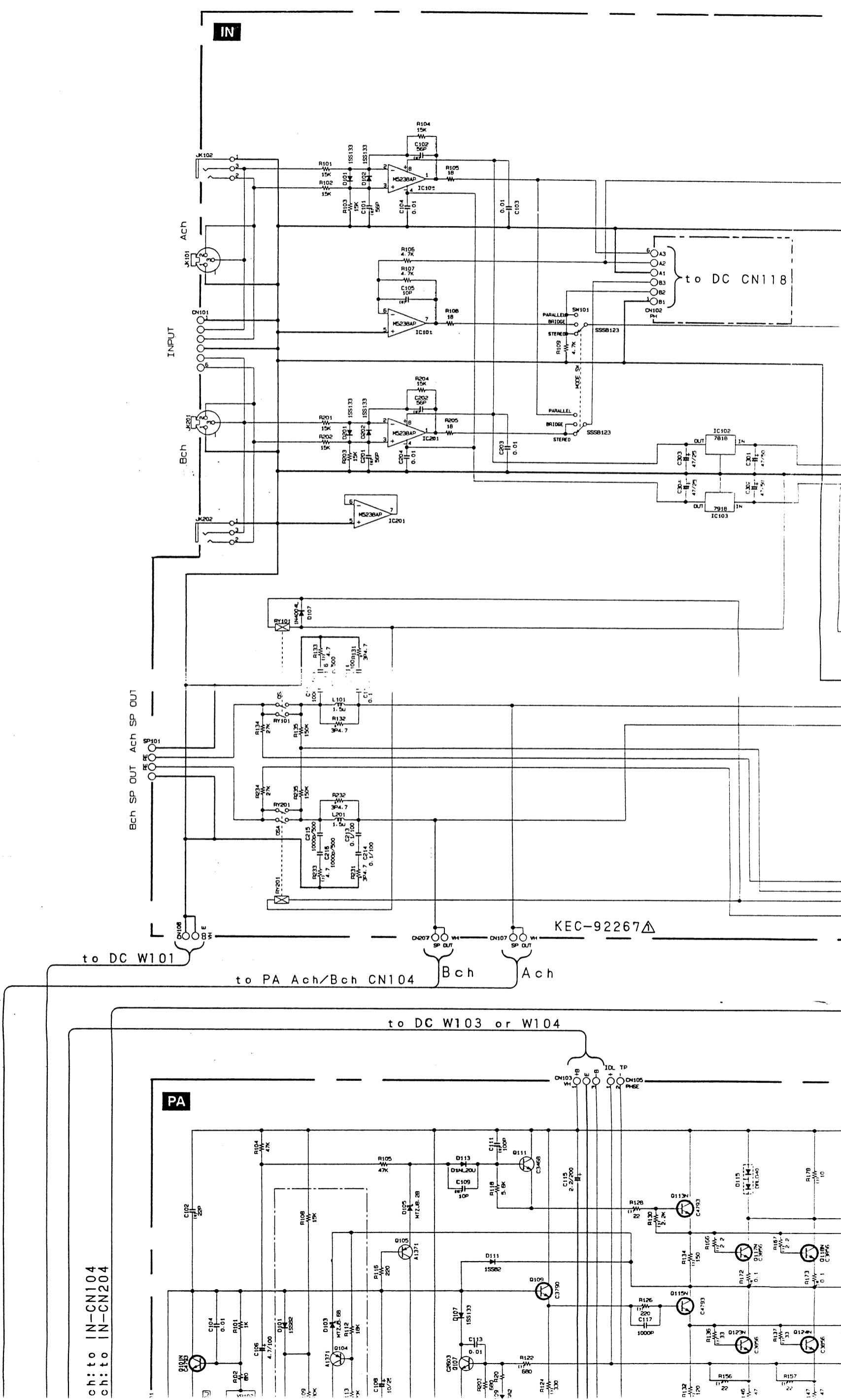


<p>• D25XB60 (VR149900) DIODE STACK</p>  	<p>• D8LD40 (VR149700) DIODE STACK</p>  	<ul style="list-style-type: none"> • MTZJ3.3A 3.3V (VQ552500) • MTZJ3.6A 3.6V (VQ439000) • MTZJ5.6B 5.6V (VG437700) • MTZJ6.8B 6.8V (VQ553900) • MTZJ8.2B 8.2V (VQ554500) • MTZJ10A 10.0V (VQ554800) • MTZJ16A 16.0V (VQ556200) • MTZJ22A 22.0V (VQ557000) • MTZJ33B 33.0V (VQ558500) • UZ-6.2BSK1-TP (VP602700) ZENER DIODE  <p>1. ANODE 2. CATHODE</p>
<p>• 2SA1115 E, F (IA111520) • 2SC2603 E, F (IC260320) TRANSISTOR</p>  <p>1 2 3 1. EMITTER 2. COLLECTOR 3. BASE</p>	<p>• NJM7818FA (XK841A00) REGULATOR+18V</p>  <p>1 2 3 1. INPUT 2. GND 3. OUTPUT</p>	<p>• NJM7918FA (XK842A00) REGULATOR-18V TRANSISTOR</p>  <p>1 2 3 1. GND 2. INPUT 3. OUTPUT</p>



Note : See parts list for details of circuit board component parts.
注 : シートの部品詳細はパーツリストをご参照下さい。

P3200/P4500 OVERALL DIAGRAM (IN, PA, DC)



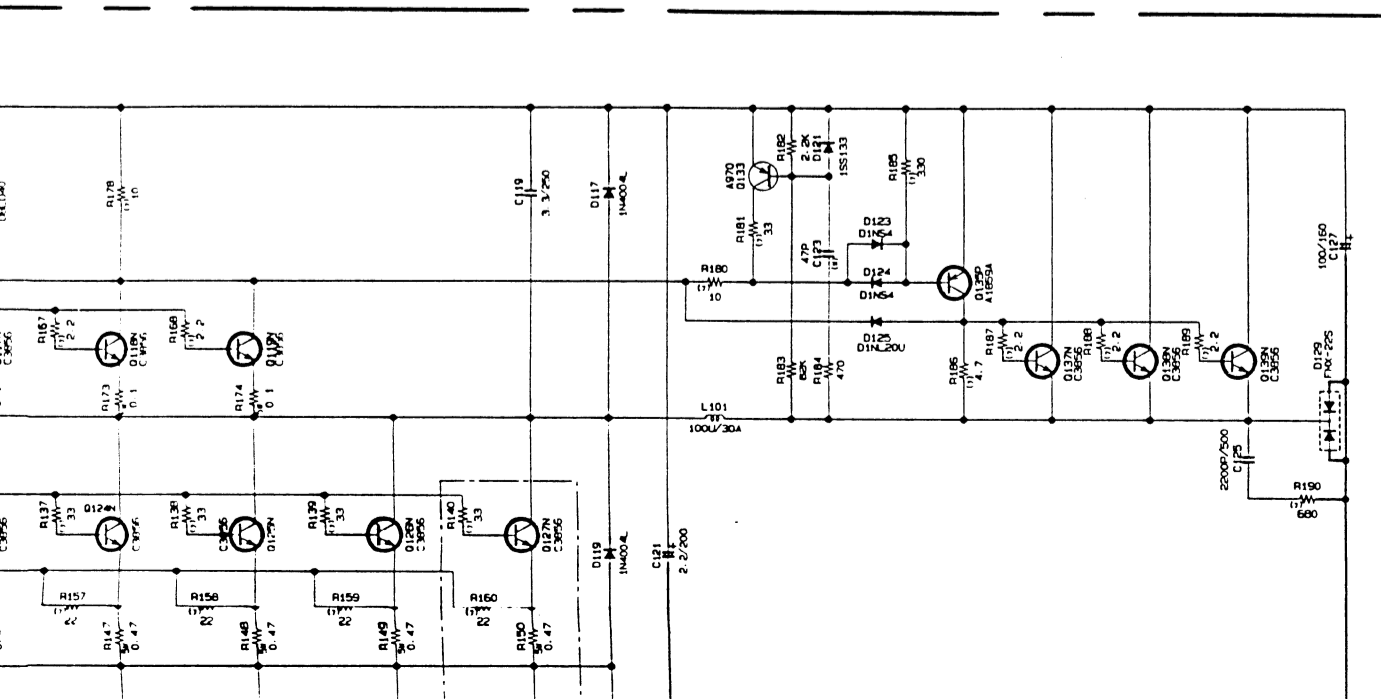
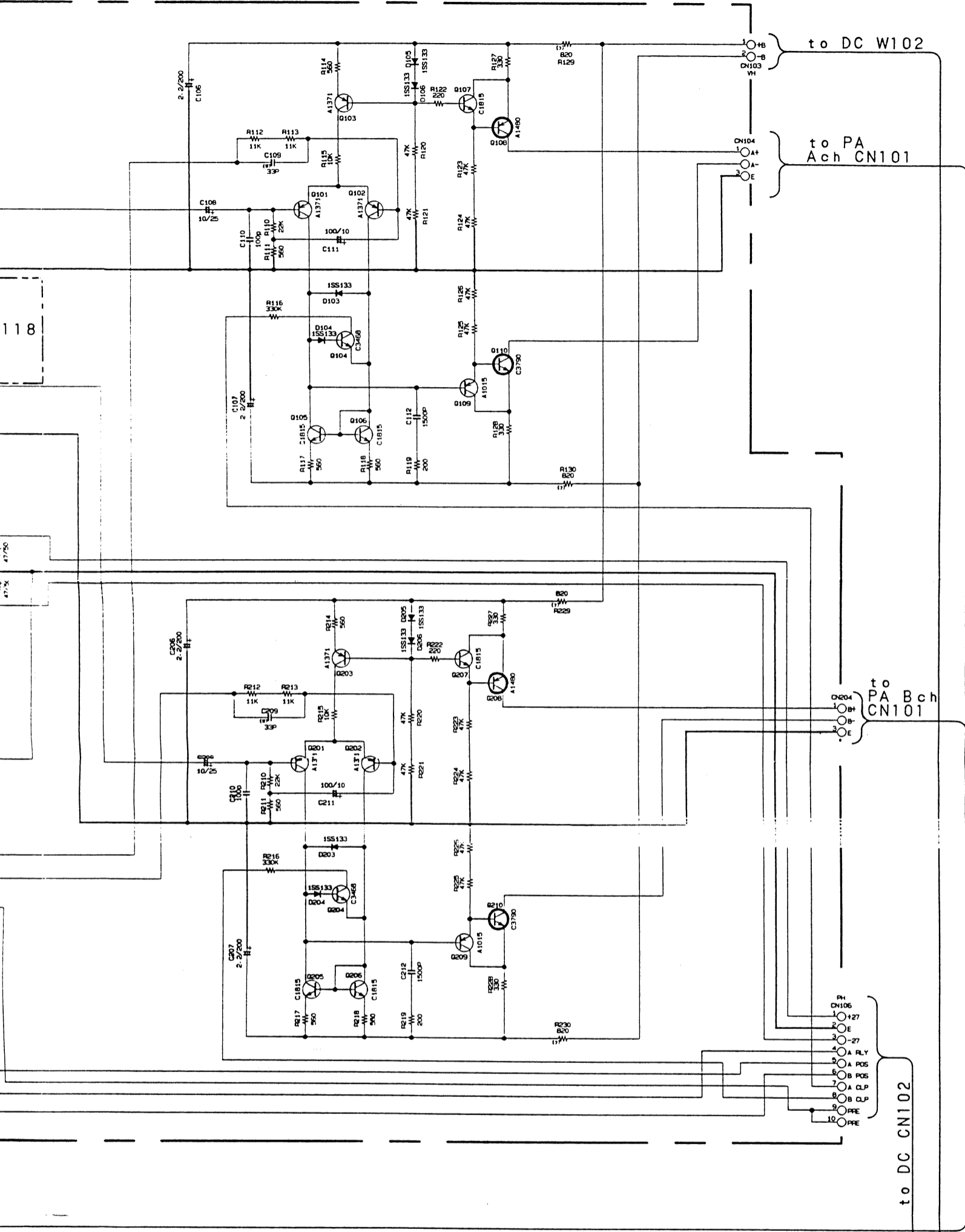
G

H

J

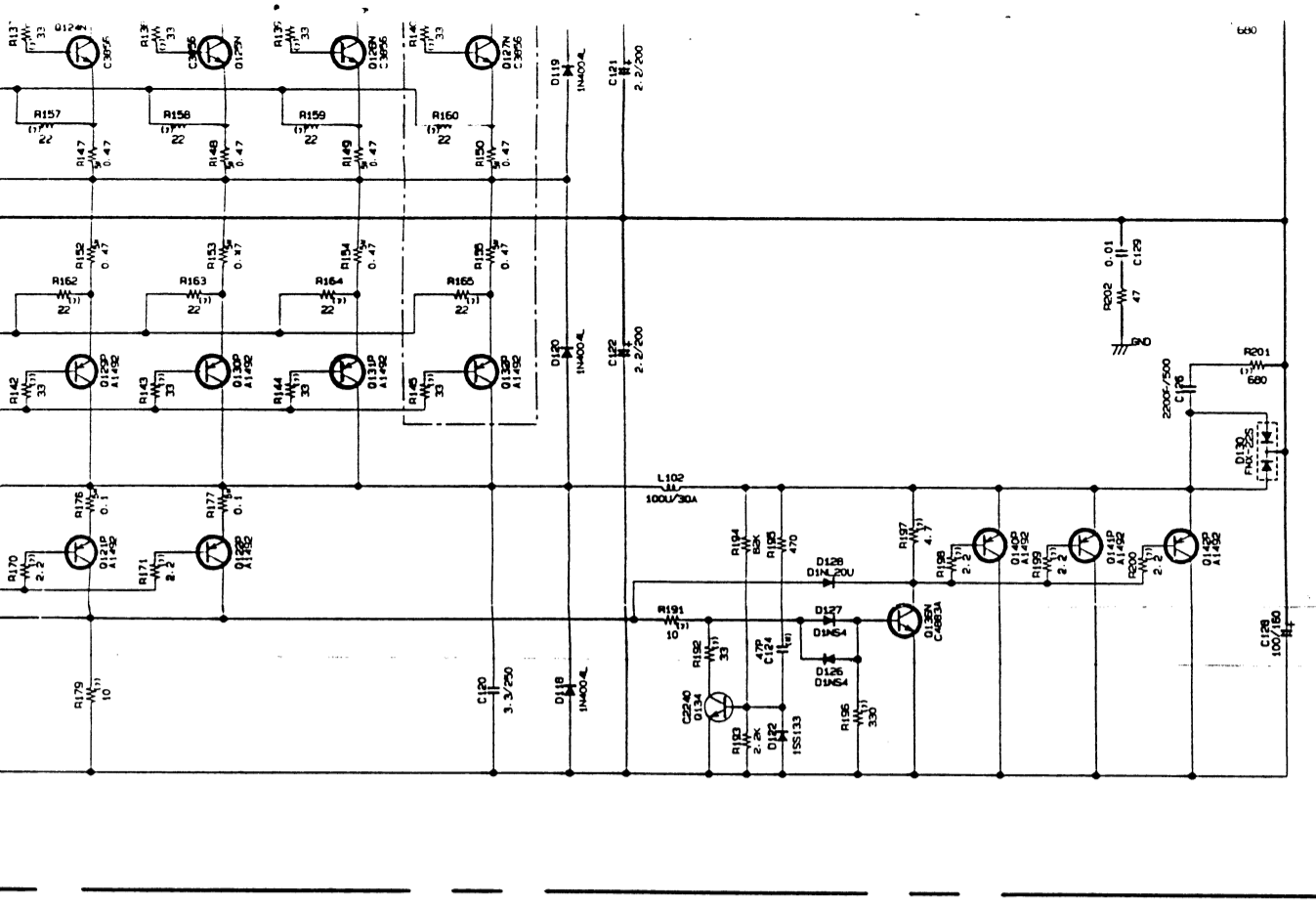
K

L



118

1
2
3
4
5
6
7
8
9
10

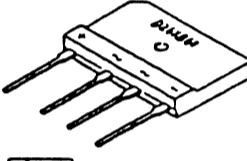

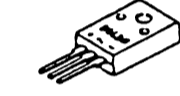

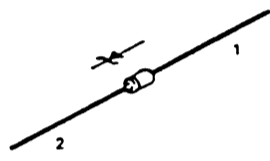
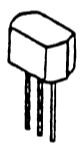
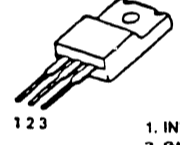
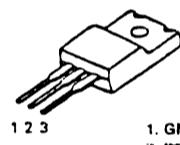


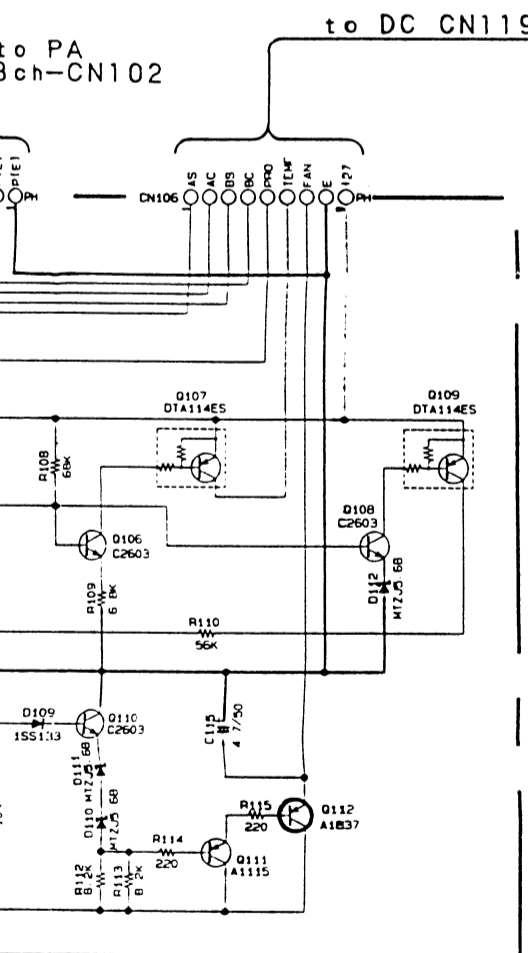
ance between P4500 and P3200
による相違

モデル	P4500	P3200
(シート)	PA5	PA3
21	18k	15k

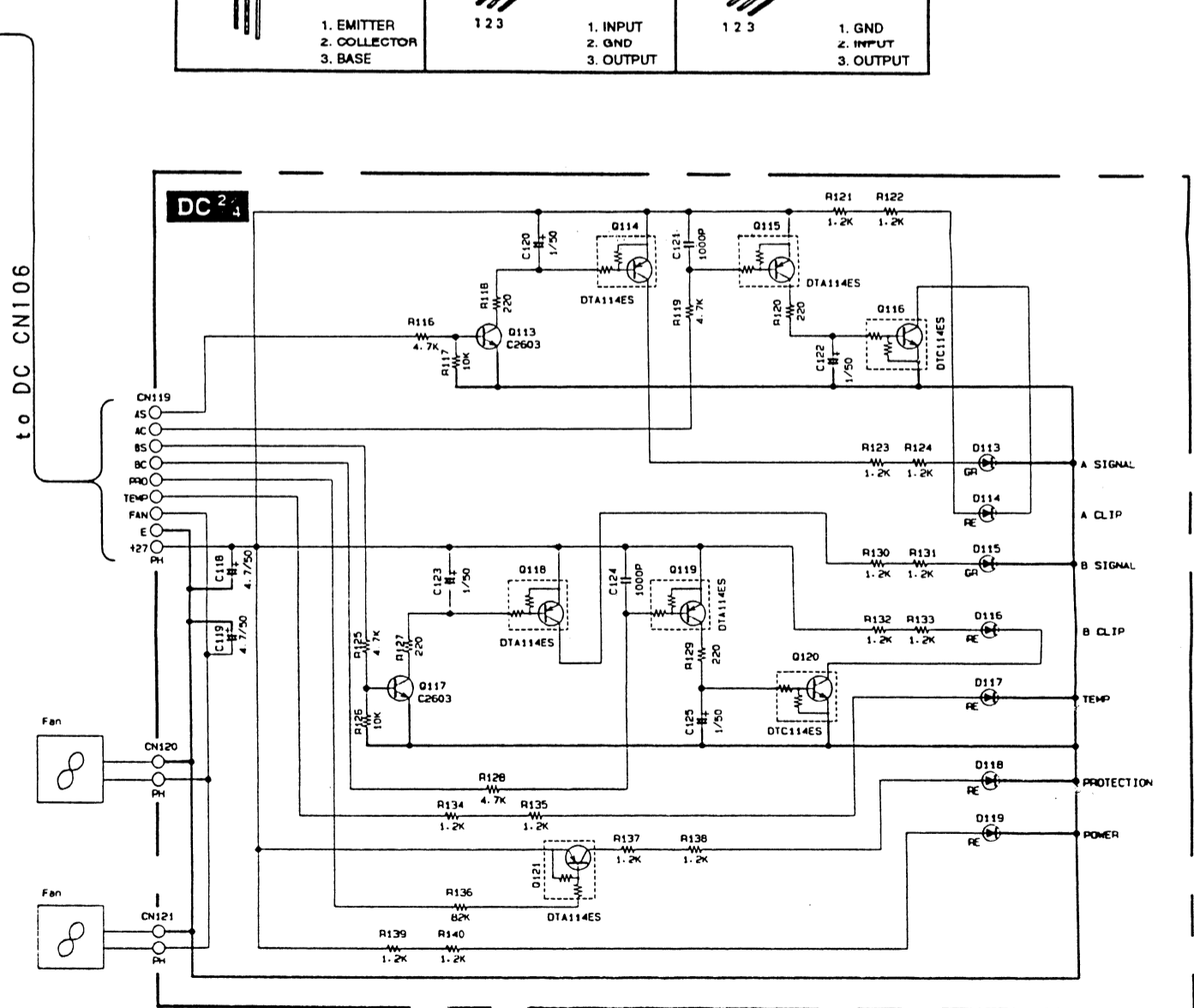
Circuit of P4500 only (at 2 places)

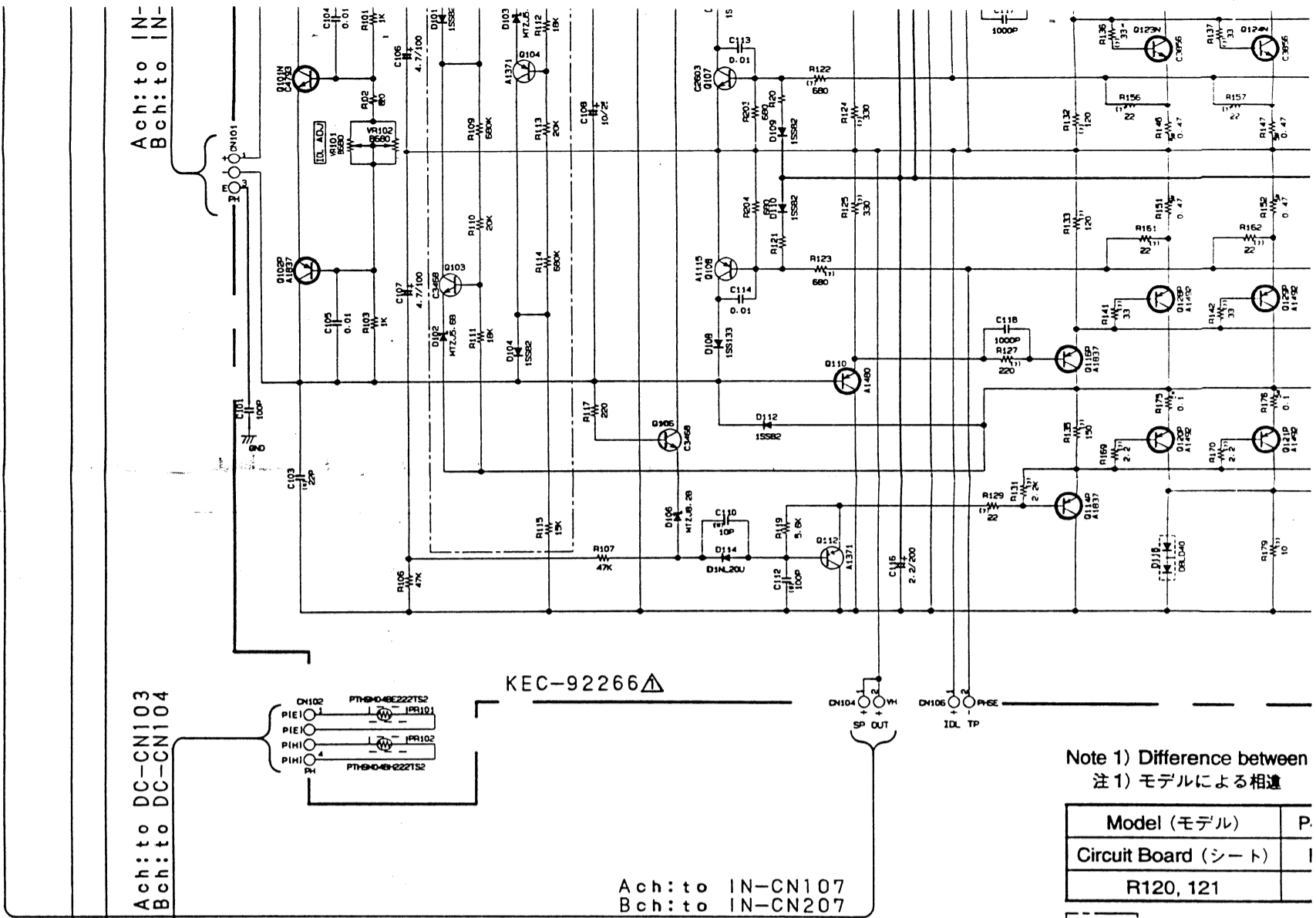
所)はP4500のみ有り

<ul style="list-style-type: none"> • D25XB60 (VR149900) DIODE STACK  	<ul style="list-style-type: none"> • D8LD40 (VR149700) DIODE STACK  	<ul style="list-style-type: none"> • MTZJ3.3A 3.3V (VQ552500) • MTZJ3.6A 3.6V (VQ439000) • MTZJ5.6B 5.6V (VG437700) • MTZJ6.8B 6.8V (VQ553900) • MTZJ8.2B 8.2V (VQ554500) • MTZJ10A 10.0V (VQ554800) • MTZJ16A 16.0V (VQ556200) • MTZJ22A 22.0V (VQ557000) • MTZJ33B 33.0V (VQ558500) • UZ-6.2BSK1-TP (VP602700) ZENER DIODE  <p>1. ANODE 2. CATHODE</p>
<ul style="list-style-type: none"> • 2SA1115 E, F (IA111520) • 2SC2603 E, F (IC260320) TRANSISTOR  <p>1. EMITTER 2. COLLECTOR 3. BASE</p>	<ul style="list-style-type: none"> • NJM7818FA (XK841A00) REGULATOR+18V  <p>1 2 3 1. INPUT 2. GND 3. OUTPUT</p>	<ul style="list-style-type: none"> • NJM7918FA (XK842A00) REGULATOR-18V TRANSISTOR  <p>1 2 3 1. GND 2. INPUT 3. OUTPUT</p>



See parts list for details of circuit board component parts.
シートの部品詳細はパーツリストをご参照下さい。

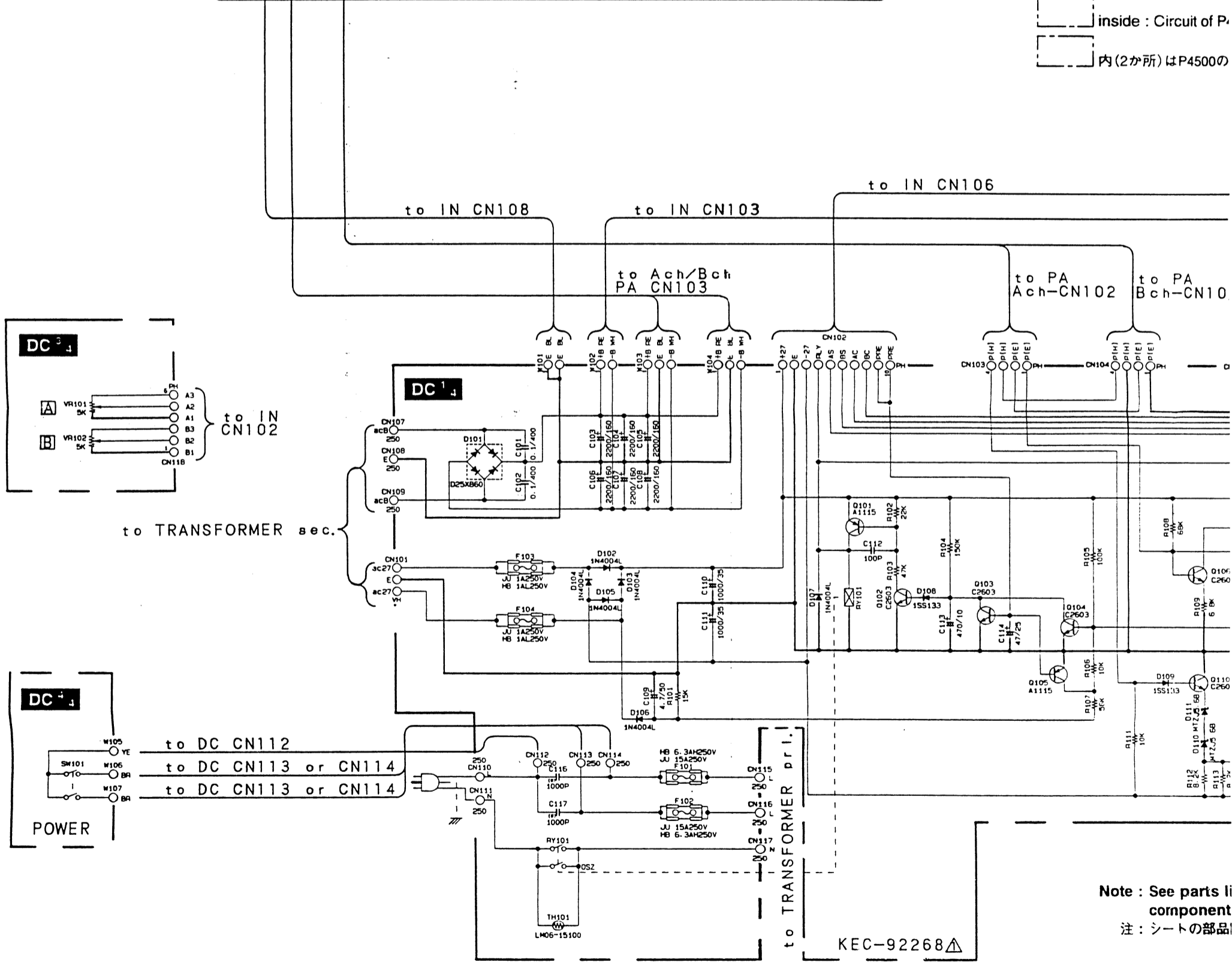




Note 1) Difference between
注1) モデルによる相違

Model (モデル)	P
Circuit Board (シート)	I
R120, 121	

inside : Circuit of P
内(2か所)はP4500の



WARNING
Components having special characteristics are marked Δ and must be replaced with parts having specification equal to those originally installed.
 Δ 印の部品は、安全を維持するために重要な部品です。交換をする場合は、安全の為必ず指定の部品をご使用ください。